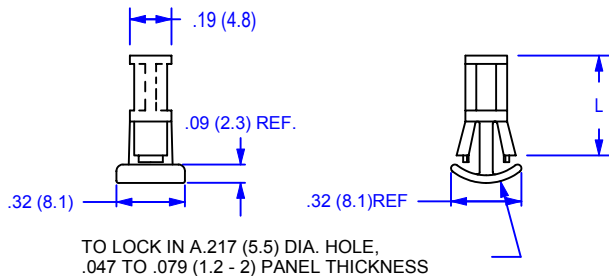


01-08

ITEM NO.	L ± .015 (0.38)	
	Inches	mm
01-08-50	.197	5
01-08-60	.236	6
01-08-80	.320	8
01-08-100	.394	10
01-08-120	.472	12
01-08-140	.551	14
01-08-160	.630	16
01-08-180	.709	18

P/N -50 AND -60 HAVE NO SPACER
PACKAGING = 500PCS PER BAG.



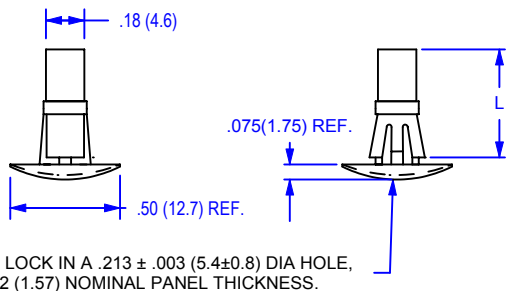
01-09

ITEM NO.	L ± .015 (0.4)	
	Inches	mm
01-09-50	.197	5
01-09-60	.236	6
01-09-80	.320	8
01-09-100	.394	10
01-09-120	.472	12
01-09-140	.551	14
01-09-160	.630	16
01-09-180	.709	18

P/N -50 AND -60 HAVE NO SPACER
PACKAGING = 500PCS PER BAG.

MATERIAL: NYLON 66
UL RATING: 94V-2
UL FILE NO.: E53664
COLOR: BLACK
ASTM: D 4066, PA0113
RoHS COMPLIANCE: YES
TEMPERATURE RANGE (REF.): -40 to 185°F (-40 to 85°C)
MR NUMBER: 05

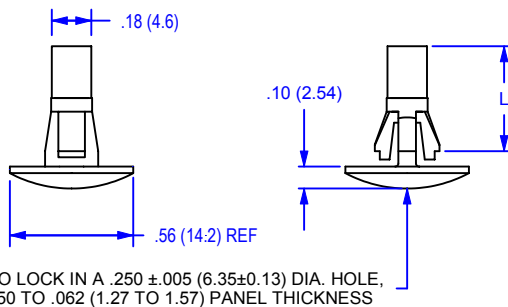
V-0 RATED NYLON AVAILABLE ON REQUEST.
TO ORDER ADD SUFFIX " X" TO PART NUMBER



01-40

ITEM NUMBER	L	
	±.015 In.	(0.38) mm
01-40-40	.256	6.5
01-40-60	.380	9.6
01-40-80	.506	12.8
01-40-100	.630	16
01-40-120	.754	19.2
01-40-140	.816	20.7
01-40-160	1.00	25.4

OTHER LENGTHS AVAILABLE ON REQUEST
PACKAGING : 1000 PCS. PER BAG.



01-43

ITEM NUMBER	L	
	In. ±.015	mm ±0.38
01-43-60	.242	6.15
01-43-80	.367	9.32
01-43-100	.492	12.5
01-43-120	.617	15.67
01-43-140	.742	18.85
01-43-160	.867	22.02
01-43-180	.992	25.20
10-43-200	1.12	28.45

OTHER LENGTHS AVAILABLE ON REQUEST
PACKAGING : 1000 PCS PER BAG.

MATERIAL: NYLON 66
UL RATING: 94V-2
UL FILE NO.: R70062
COLOR: NATURAL
ASTM: D 4066, PA111
RoHS COMPLIANCE: YES
TEMPERATURE RANGE (REF.): -40 to 185°F (-40 to 85°C)
MR NUMBER: 01

V-0 RATED NYLON AVAILABLE ON REQUEST.
TO ORDER ADD SUFFIX " X" TO PART NUMBER

No	Revision	Date	Init.

ALL ELECTRONICS HARDWARE , INC.
90 NORTH LIVELY BLVD.
ELK GROVE VILLAGE, ILLINOIS
60007-1317 TEL.1-800-778-7234

REVERSE SPACERS

File No. **REVERSESPACERS**

9-27-05

