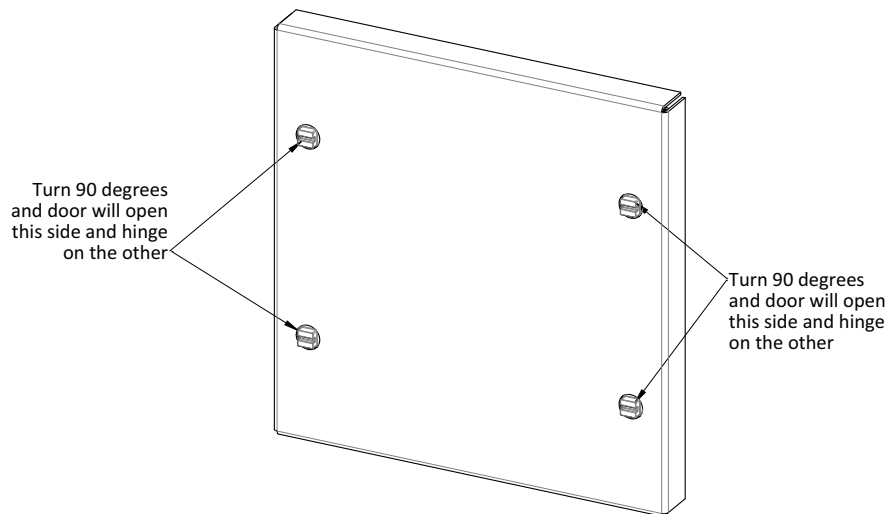
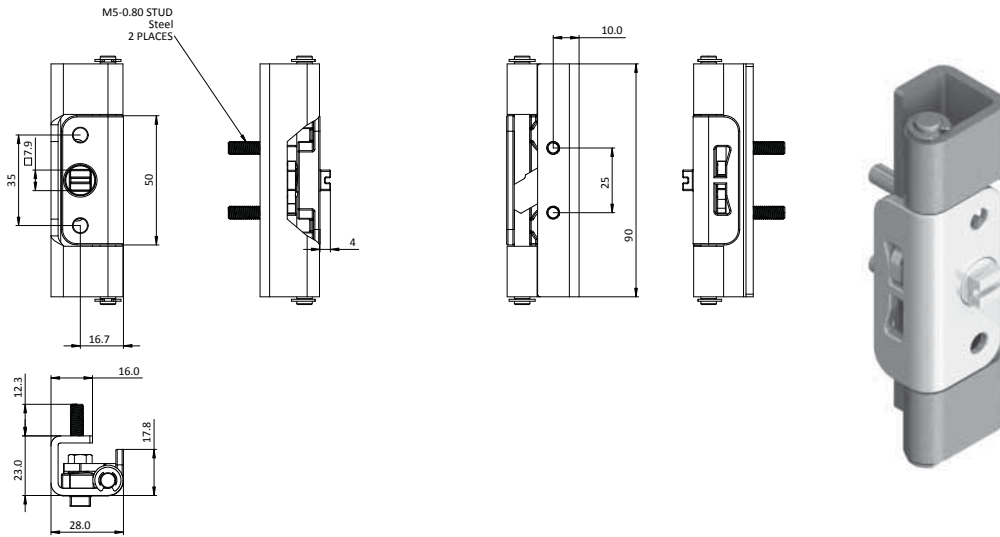


LATCHING / CONCEALED HINGES

DESCRIPTION	To hinge panels
MATERIAL	Frame component: Mild Steel Door component: Die-cast zinc Hinge pin: Mild steel
SURFACE	Hinge leaves: Zinc Plated Hinge pin: Zinc plated
SPECIALS	Right and left



DEVICE IS BOTH
HINGE AND LATCH