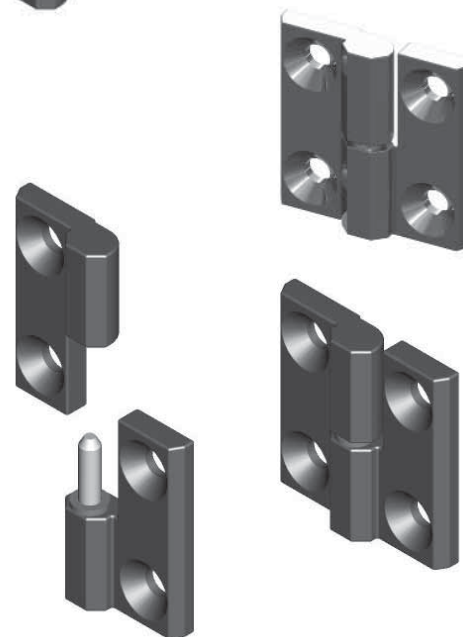
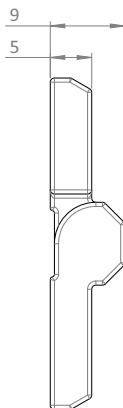
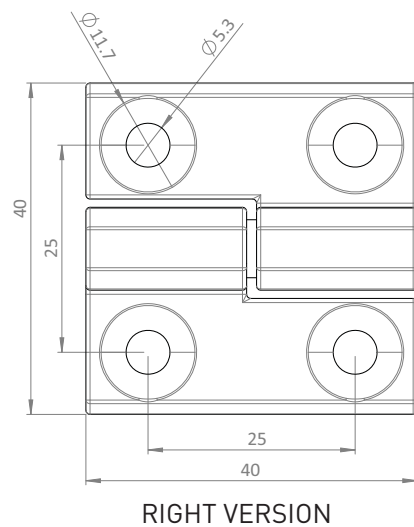
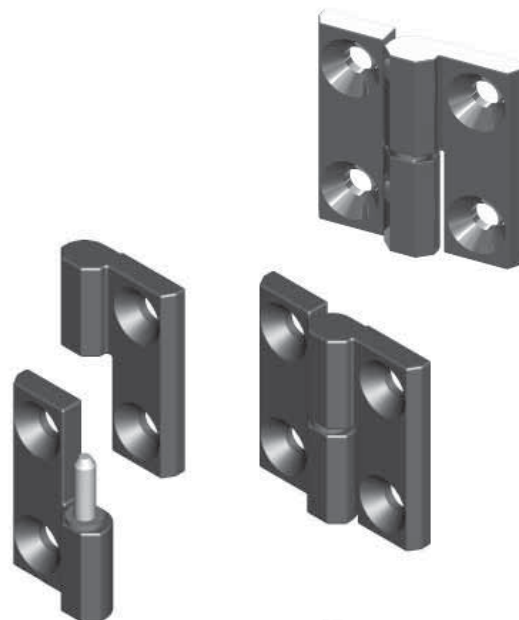
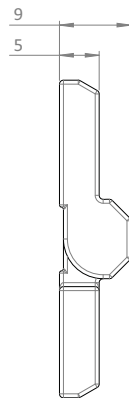
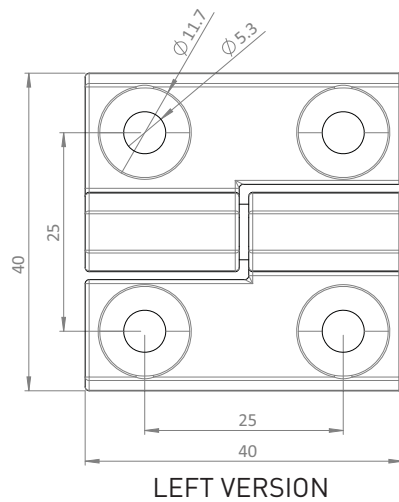


**SCREW-ON HINGES**

DESCRIPTION	To hinge panels
MATERIAL	Hinge leaves: Die-cast zinc Hinge pin: 304 SS
SURFACE	Hinge leaves: Black powder coat, Chrome Plated
HARDWARE	M5 Flat Head Screw



Version	Black Powder Coated	Chrome Plated
Left	SOH270	SOH270S01
Right	SOH271	SOH271S01