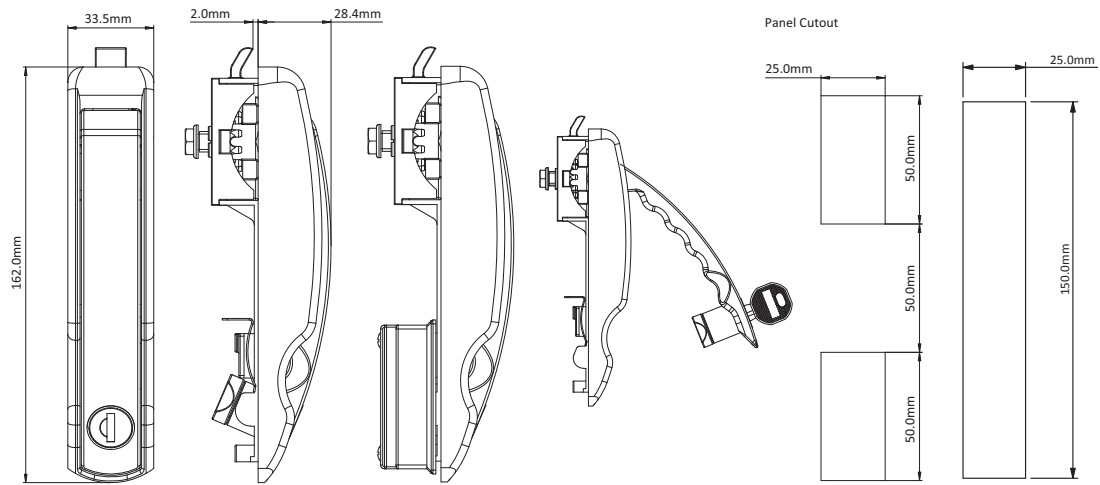


CYLINDER LOCK LEVER HANDLE - CAM CONTROL

DESCRIPTION	For easy and secure latching and locking of doors and flaps. Wide range of inserts, cams, and accessories.
MATERIAL	PA 30% glass filled Mounting bracket, push plate, baffle plate and pin: Stainless steel
SURFACE	Black
SPECIALS	Right and Left Keyed FH333



TOOL-LESS INSTALLATION COVER CAP INSTALLATION
 Mounting panel thickness 1.0-2.0mm



Key Options	Mounting Options	Standard Operation	Spring Assist Operation	Constant Friction Operation
FH333	Tool-Less Installation	CLLHCC569	CLLHCC569S01	CLLHCC569S02
	Dust Cap Installation	CLLHCC111	CLLHCC111S01	CLLHCC111S02
FH2233	Tool-Less Installation	CLLHCC569S04	CLLHCC569S05	CLLHCC569S03
	Dust Cap Installation	CLLHCC111S04	CLLHCC111S05	CLLHCC111S03