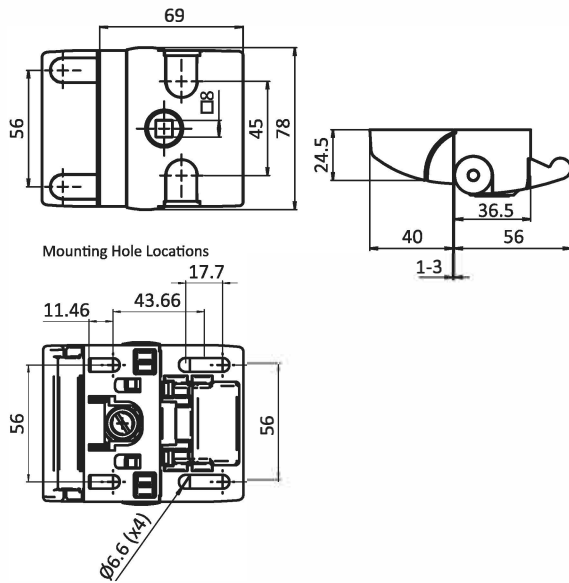


SLAM/SLIDE LATCHES COMPACT

DESCRIPTION	For easy and secure latching and locking of doors and flaps, no mechanical preparation needed for the assembly; safe against disassembling in the locked position
MATERIAL	Die-cast aluminum
SURFACE	Black powder coated / aluminum color powder coated
FASTENING	From the front, using M6 socket head or pan head screws



Emergency Opener can be found on page 89

Slam Latch	Surface	Lock	Weight [g]	Part #
SLAM LATCH	Black powder coated	Keyed FH333	235.5	SSLC408
		Keyed Differently	235.5	SSLC411
		Non Locking	204.0	SSLC410
		Square Insert	220.0	SSLC431
		Double Bit Insert	220.0	SSLC432
SLAM LATCH	Aluminum color powder coated	Keyed FH333	235.5	SSLC408S01
		Keyed Differently	235.5	SSLC411S01
		Non Locking	204.0	SSLC410S01
SLIDE DOOR LATCH	Black powder coated	Keyed FH333	246.0	SSLC415
		Keyed Differently	246.0	SSLC416
		Non-Locking	216.0	SSLC417