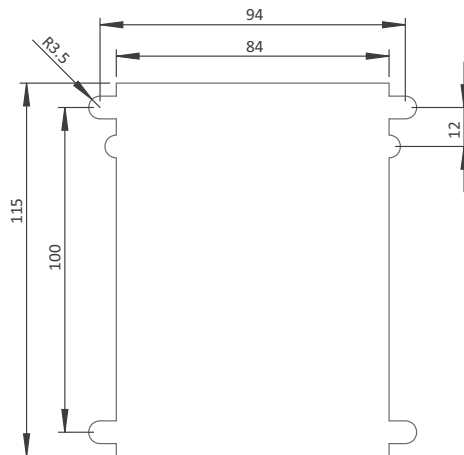
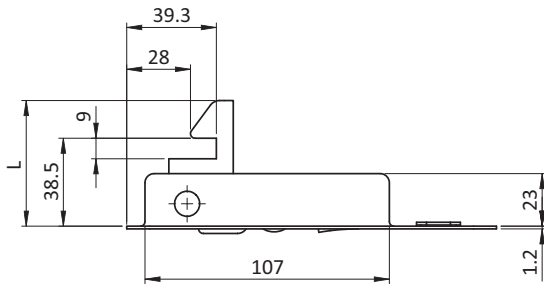
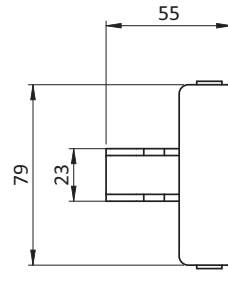
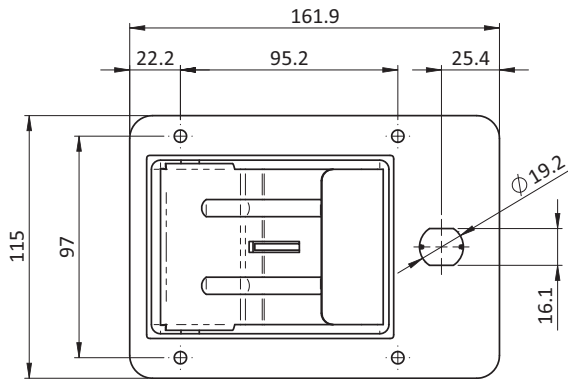


**SLAM TO CLOSE PADDLE LATCH**

DESCRIPTION	Slam to close latch for easy and secure latching and locking of panels and doors
MATERIAL	Pad, Handle, Hook and Hasp: CRS
COLOR	Black powder coated
SPECIALS	Pad-Lockable



Panel Cutout

Slam to Close Paddle Latch

L [mm]

Part #

 55  
 65

 STCPL405  
 STCPL406