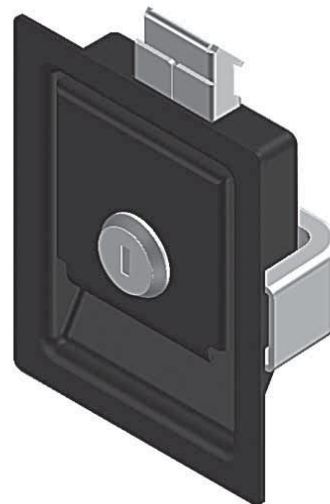
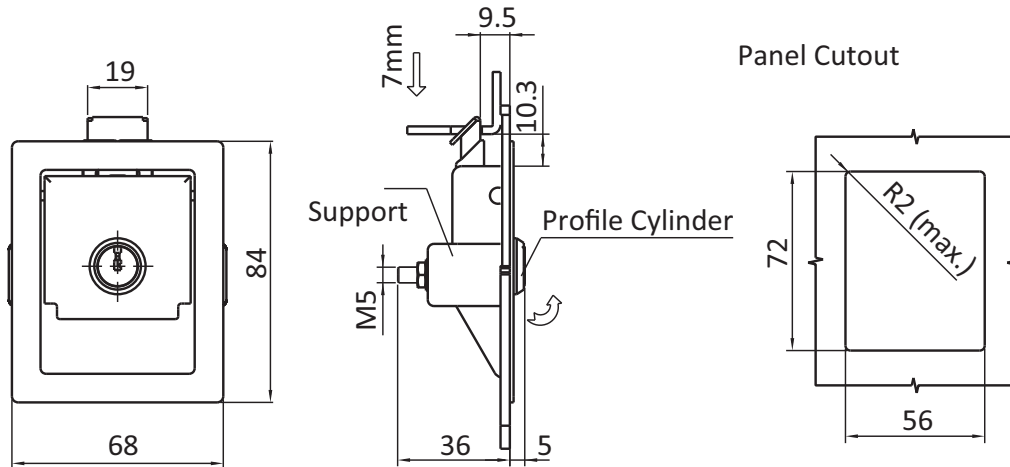


**SLAM TO CLOSE PADDLE LATCH**

DESCRIPTION	For easy, secure, and compressive latching and locking of doors and flaps
MATERIAL	Pad, handle, hook and hasp: CRS and 304 SS Cam: Mild steel
SURFACE	Dish and cylinder: Black powder coated Cam: Zinc plated



Panel Locks

Version

 Die-cast Zinc,  
 black powder coated

304 SS

With insert

**STCPL149**

Without insert

**STCPL150**