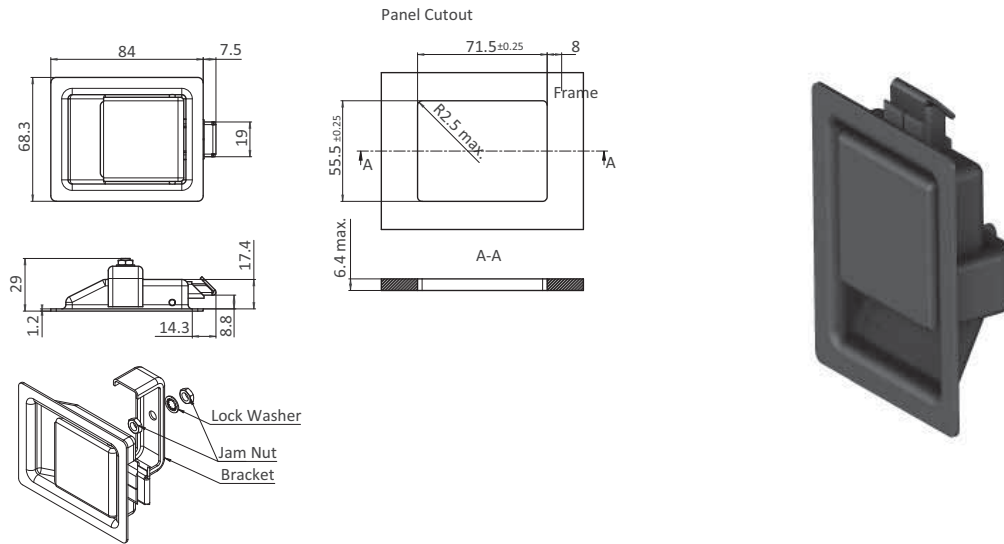


PUSH TO CLOSE PADDLE LATCH

DESCRIPTION	Push to close latch for easy and secure latching and locking of panels and doors
MATERIAL	Mild steel
COLOR	Black powder coated

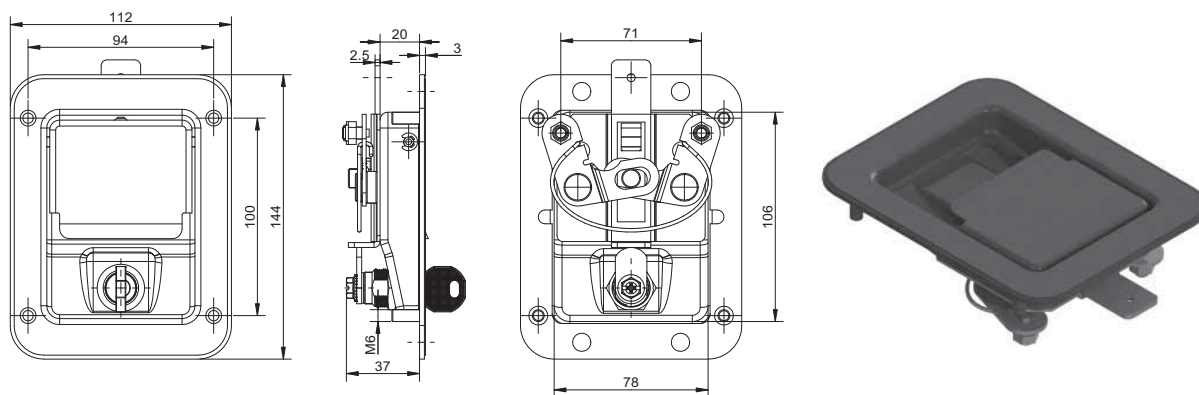


Push To Close Paddle Latch

Part #

PTCPL531
PUSH TO CLOSE PADDLE LATCH

DESCRIPTION	Push to close latch for easy and secure latching and locking of panels and doors. Three point latching
MATERIAL	Mild steel
COLOR	Black powder coated



Push To Close Paddle Latch

Part #

PTCPL224