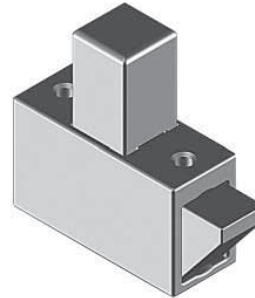
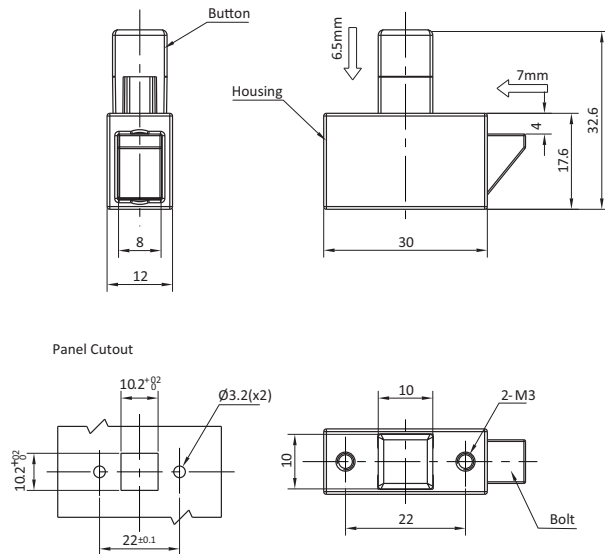


### SLAM TO CLOSE PUSHBUTTON LATCH

DESCRIPTION	Slam to close latch for easy and secure latching and locking of panels and doors
MATERIAL	Die cast zinc Spring and pin: Stainless steel
SURFACE	Nickel plated



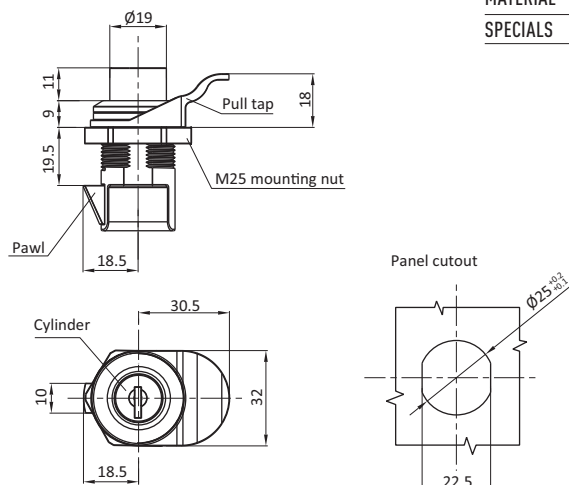
Slam to close Pushbutton Latch

Part #

**STCPL153**

### PUSH TO CLOSE CATCH

DESCRIPTION	For easy and secure latching and locking of doors and flaps.
MATERIAL	Housing and pull: PA
SPECIALS	Right and left



Push To Close Quarter Turn Locks

Latch Parallel to Pull

Latch Perpendicular to Pull

Key locking	<b>PTCC64</b>	<b>PTCC64S01</b>
Non-locking	<b>PTCC65</b>	<b>PTCC65S01</b>