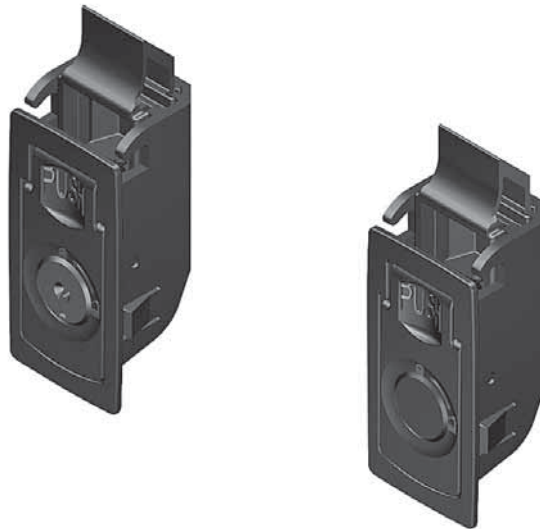
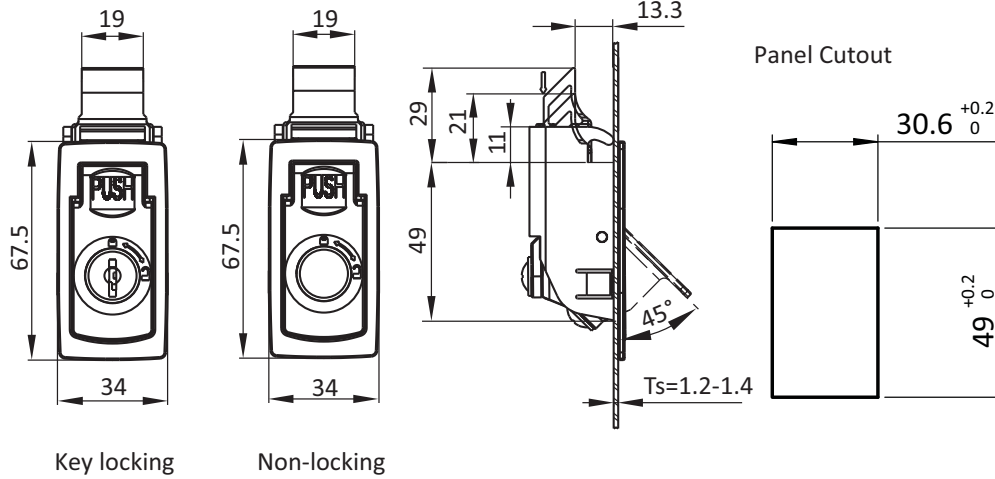


SLAM LATCH

DESCRIPTION	Slam to close latch for easy and secure latching and locking of panels and doors
MATERIAL	Nylon PA, glass fiber reinforced
COLOR	Black



Slam Latch

 Key Locking FH333
 Non-Locking

Part #

SL03
SL04