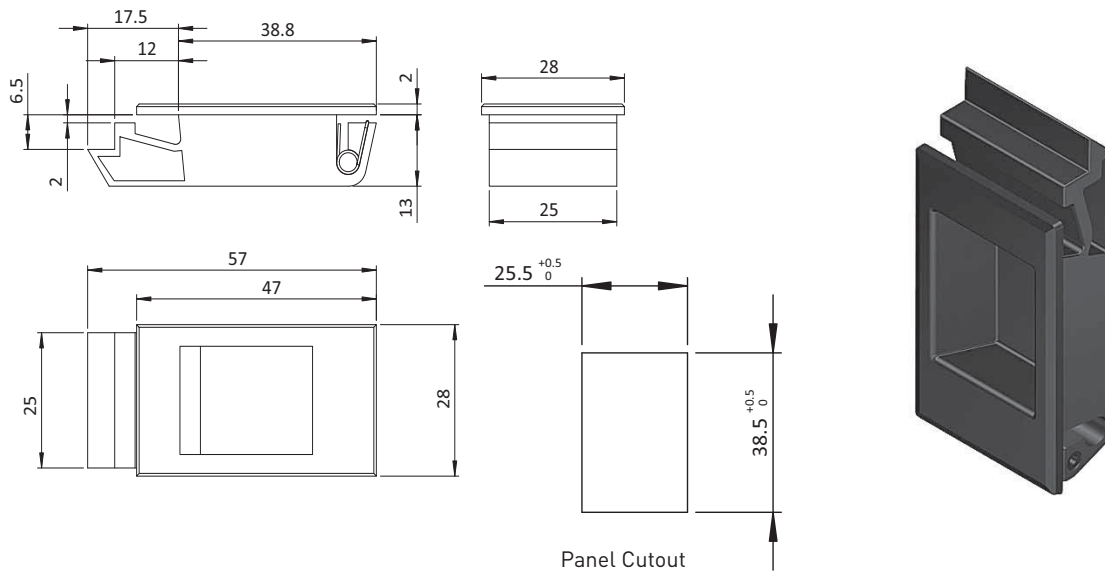
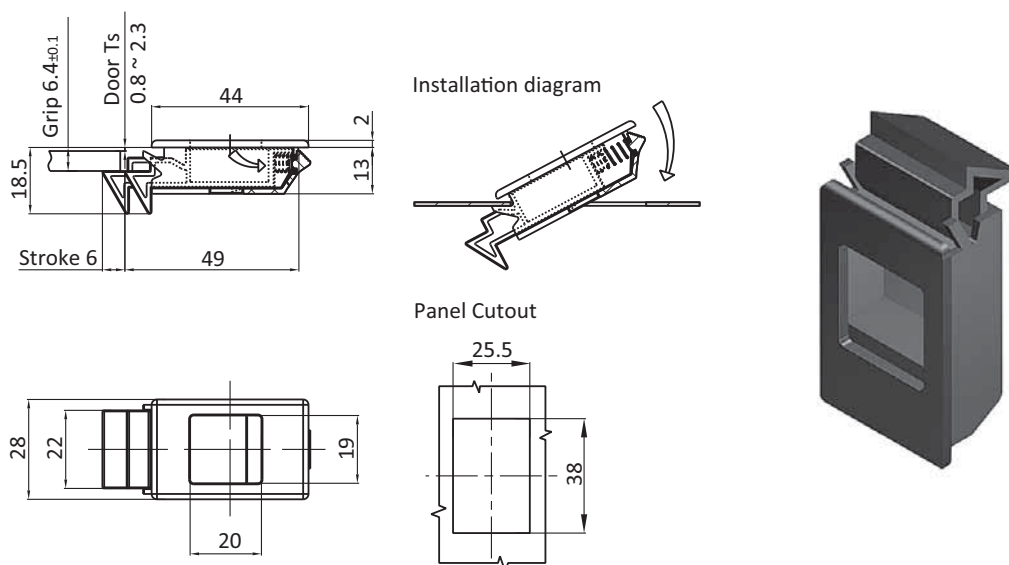


SLIDE LATCH

DESCRIPTION	Slam to close latch for panels and doors
MATERIAL	Housing: ABS Spring: SS
COLOR	Black



Slide Latch	Panel Thickness	
With Return Spring	0.8 - 1.2	1.2 - 1.5
	SL01	SL02



Slide Latch	Panel Thickness [mm]	
With Return Spring	0.8 - 2.3	
	SL94	