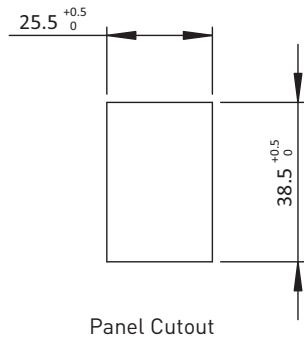
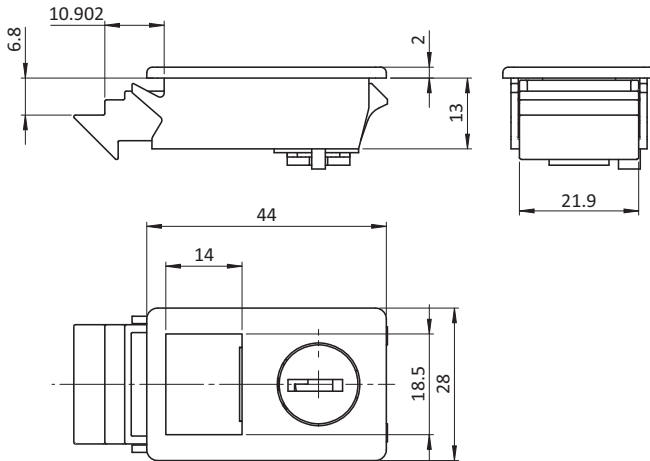


**SLIDE LATCH**

DESCRIPTION	Slam to close latch for panels and doors
MATERIAL	Nylon PA, glass fiber reinforced
COLOR	Black



Slide Latch

Part #

Key Locking FH333

**SL4501**

Key Locking FH2233

**SL4506**