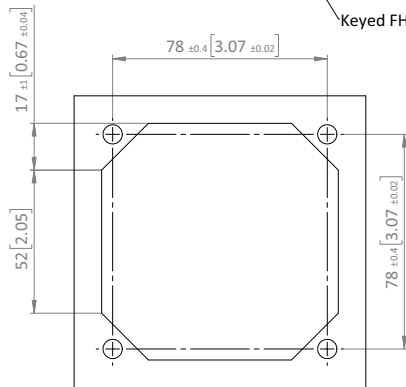
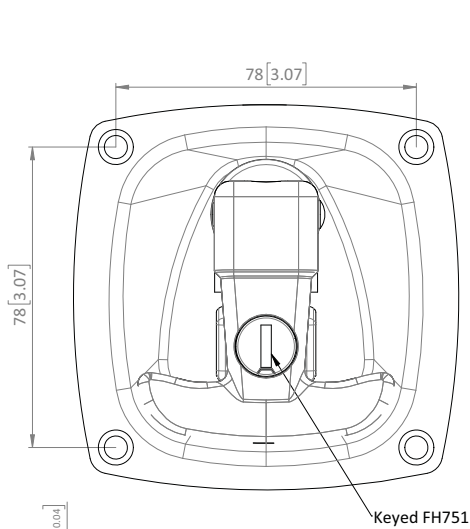


> T- HANDLE COMPRESSION LATCHES

DESCRIPTION	For easy, secure, and compressive latching and locking of doors and flaps.
MATERIAL	Housing, handle, and trigger: Die-cast zinc Cam: Mild steel
SURFACE	Housing, handle, and trigger: Black powder coated Cam: Zinc plated



PANEL CUTOUT

