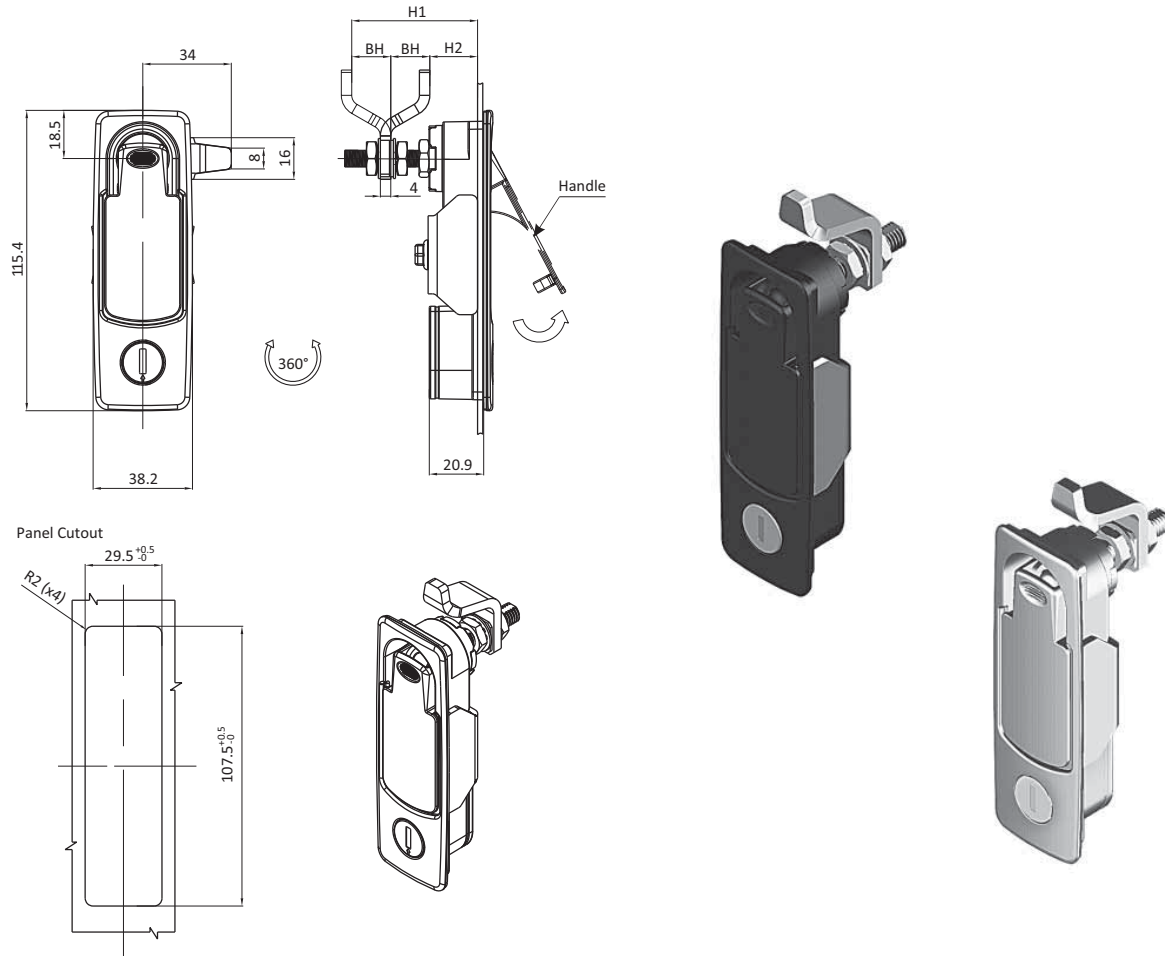


**HANDLE COMPRESSION LATCHES**

<b>DESCRIPTION</b>	For easy, secure, and compressive latching and locking of doors and flaps.
<b>MATERIAL</b>	Housing, handle, and trigger: Die-cast zinc Cam: Mild steel
<b>SURFACE</b>	Housing, handle, and trigger: Black powder coated / chrome plated Cam: Zinc plated



Cylinder Style	Cam forward Min - Max (mm)		Cam reversed Min - Max (mm)		Die-cast Zinc, black powder coated	Die-cast Zinc, chrome plated
		6 - 16	56 - 66			<b>HCL68</b>
FH1245 Key locking	1 - 11		15 - 30		<b>HCL69</b>	<b>HCL72</b>
		1 - 11		15 - 30	<b>HCL70</b>	<b>HCL73</b>