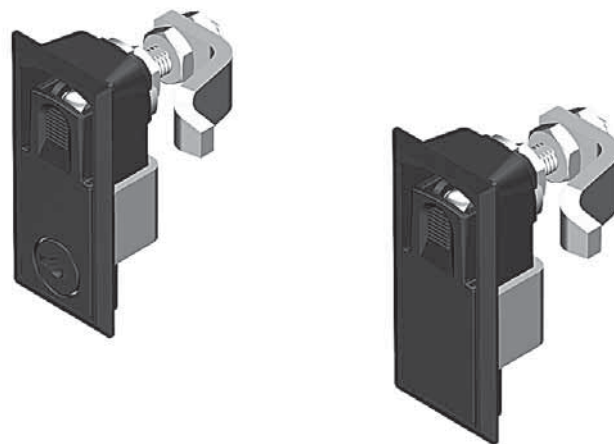
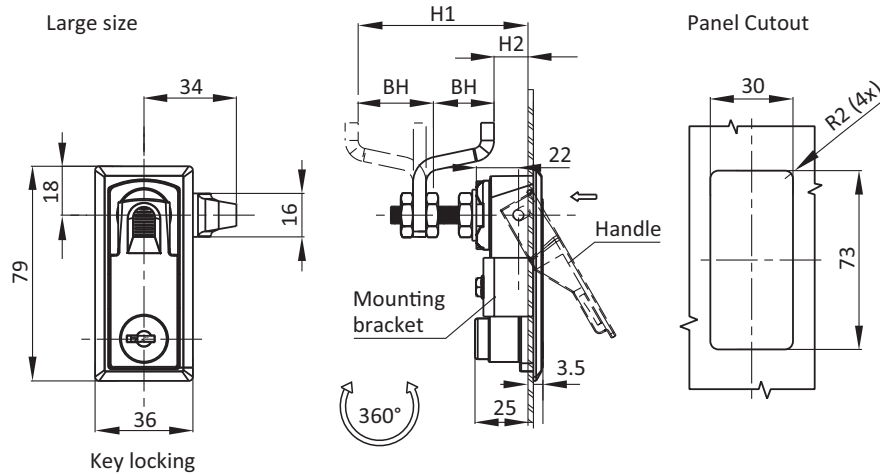


**HANDLE COMPRESSION LATCHES**

DESCRIPTION	For easy, secure, and compressive latching and locking of doors and flaps.
MATERIAL	Housing and cylinder: Die-cast zinc Cam: Mild steel
SURFACE	Housing and cylinder: Black powder coated / chrome plated Cam: Zinc plated



Cylinder Style	Cam forward	Cam reversed	Die-cast Zinc,	Die-cast Zinc,
	Min - Max (mm)	Min - Max (mm)	black powder coated	chrome plated
Non-Locking	6 - 16	56 - 66	<b>HCL50</b>	<b>HCL51</b>
	16 - 26	46 - 56	<b>HCL52</b>	<b>HCL53</b>
	26 - 36	36 - 46	<b>HCL54</b>	<b>HCL55</b>
Key locking FH751	6 - 16	56 - 66	<b>HCL56</b>	<b>HCL57</b>
	16 - 26	46 - 56	<b>HCL58</b>	<b>HCL59</b>
	26 - 36	36 - 46	<b>HCL60</b>	<b>HCL61</b>
Tool locking	6 - 16	56 - 66	<b>HCL62</b>	<b>HCL63</b>
	16 - 26	46 - 56	<b>HCL64</b>	<b>HCL65</b>
	26 - 36	36 - 46	<b>HCL66</b>	<b>HCL67</b>