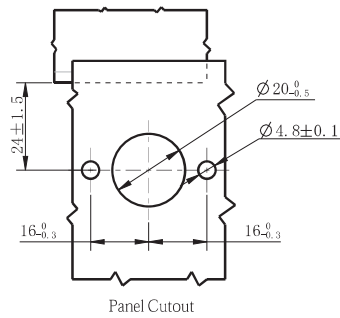
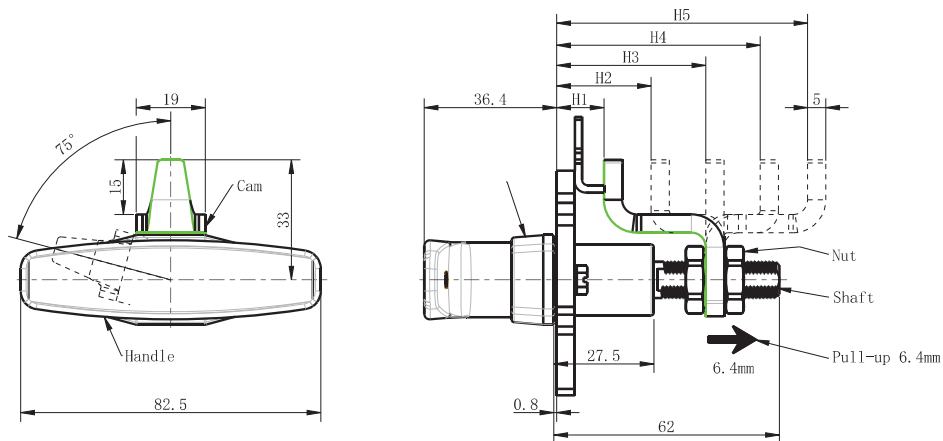


LARGE COMPRESSION LATCHES

DESCRIPTION	For easy, secure, and compressive latching and locking of doors and flaps.
MATERIAL	Handle and Housing: Die cast zinc Shaft: Mild steel
SURFACE	Handle and Housing: Black powder coated Shaft: Zinc plated



Cam Style	Grip Range [mm]	Non-Locking	Key Locking (Cylinder type needs to be specified)
Reversed	11.4 - 27.2	LCLR297	LCLR298
	25.4 - 41.1	LCLR297S01	LCLR298S01
Straight	38.9 - 54.6	LCLS297S02	LCLS298S02
	52.6 - 68.3	LCLS238S01	LCLS298S01
Offset	66.3 - 76.2	LCLO297	LCLO298