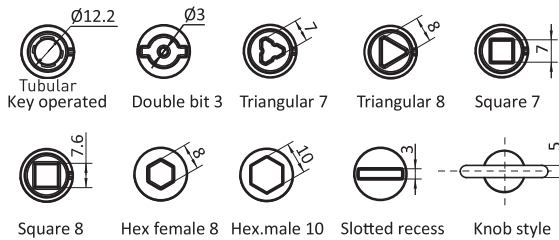
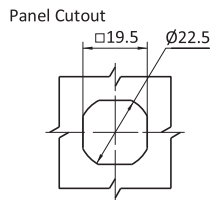
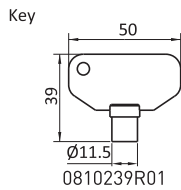
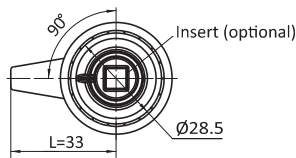
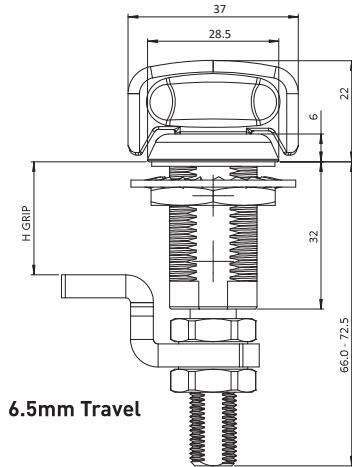


## LARGE COMPRESSION LATCHES

DESCRIPTION	For easy, secure, and compressive latching and locking of doors and flaps.
MATERIAL	Housing and cylinder: Die-cast zinc Cam: Mild steel
SURFACE	Housing and cylinder: Black powder coated Cam: Zinc plated
SPECIALS	Right and left IP65 / NEMA 4



Cam Style	H Grip Range [mm]	Tubular Key Operated	Double Bit 3mm	Triangular 7mm	Triangular 8mm	Square 7mm	Square 8mm	Slotted Recess	Hex Female 8mm	Hex Male 10mm	Knob Style
Reversed	11.4 - 27.2	LCLR237	LCLR240	LCLR243	LCLR355	LCLR358	LCLR39	LCLR361	LCLR364	LCLR367	LCLR370
	25.4 - 41.1	LCLR238	LCLR241	LCLR244	LCLR356	LCLR359	LCLR40	LCLR362	LCLR365	LCLR368	LCLR371
Straight	38.9 - 54.6	LCLS239	LCLS242	LCLS245	LCLS2357	LCLS2360	LCLS241	LCLS2363	LCLS2366	LCLS2369	LCLS2372
Offset	52.6 - 68.3	LCLO238	LCLO241	LCLO244	LCLO356	LCLO359	LCLO40	LCLO362	LCLO365	LCLO368	LCLO371
	66.3 - 76.2	LCL0810237	LCL0240	LCL0243	LCL0355	LCL0358	LCL039	LCL0361	LCL0364	LCL0367	LCL0370