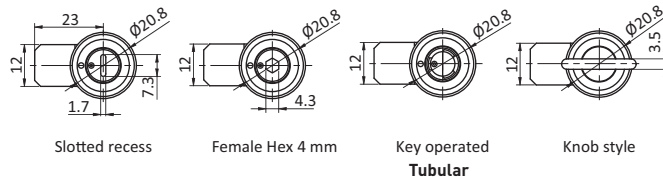
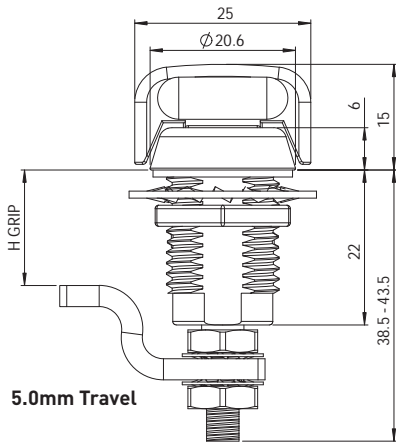
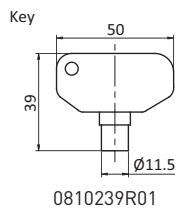
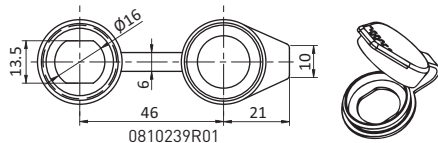
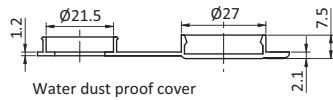


SMALL COMPRESSION LATCHES

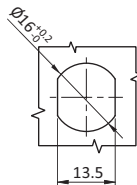
DESCRIPTION	For easy, secure, and compressive latching and locking of doors and flaps.
MATERIAL	Housing and cylinder: Die-cast zinc Cam: Mild steel
SURFACE	Housing and cylinder: Black powder coated Cam: Zinc plated
SPECIALS	Right and left IP65 / NEMA 4



Optional Components:



Panel Cutout



Cylinder Style	H Grip Range [mm]							
	3.2 - 6.4 mm	6.4 - 9.5 mm	9.5 - 12.7 mm	12.7 - 15.9 mm	15.9 - 19.0 mm	19.0 - 22.2 mm	22.2 - 25.4 mm	25.4 - 28.6 mm
Slotted Recess	SCL203	SCL204	SCL205	SCL206	SCL207	SCL208	SCL209	SCL210
Female Hex 4mm	SCL211	SCL212	SCL213	SCL214	SCL215	SCL216	SCL217	SCL218
Knob Style	SCL219	SCL220	SCL221	SCL222	SCL223	SCL224	SCL225	SCL226
Tubular Key	SCL227	SCL228	SCL229	SCL230	SCL231	SCL232	SCL233	SCL234