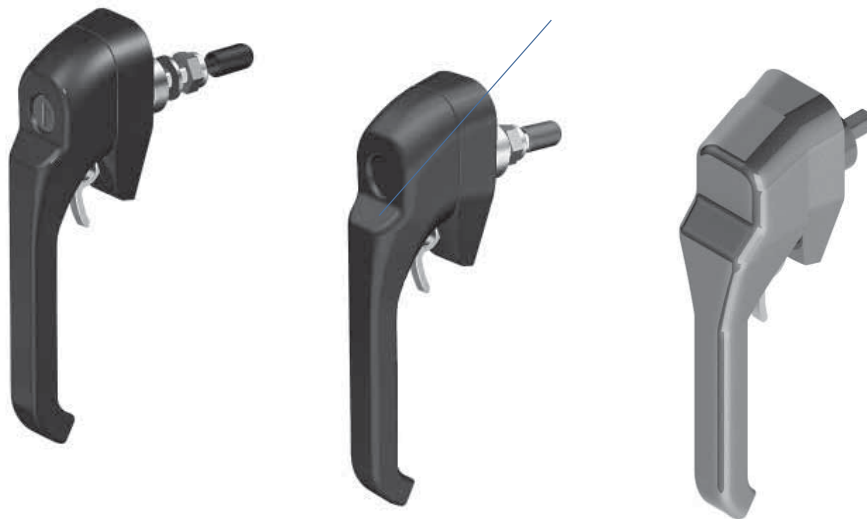
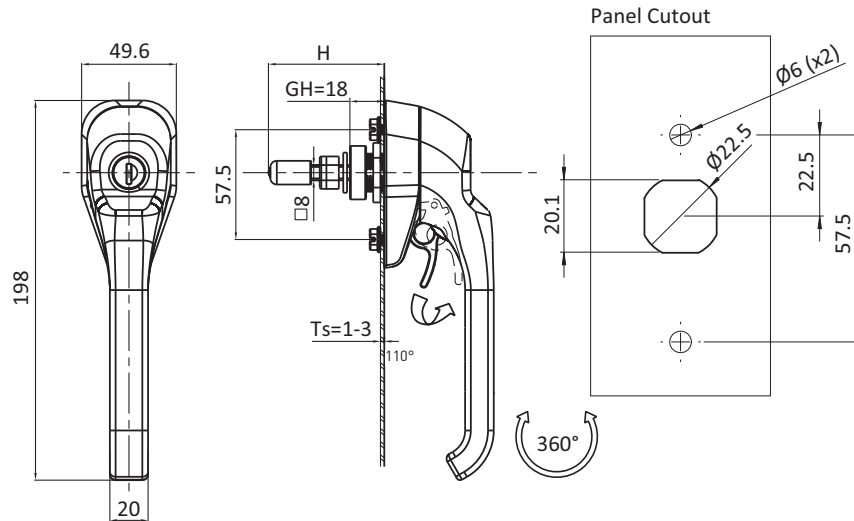


**> HANDLE QUARTER TURN LOCK WITH DEFEATER FUNCTION**

DESCRIPTION	For easy and secure latching and locking of doors and flaps. Two stage unlocking, turn key and then trigger pull. Wide range of inserts, cams, and accessories.
MATERIAL	Die-cast zinc, stainless steel
SURFACE	Black powder coated / chrome plated
SPECIALS	Right and Left Pad lock compatible


**L-Handle Quarter Turn Lock with Defeater Function**

 Die-cast Zinc,  
 black powder coated

316 SS

 Handle: PA6 30  
 Housing: Die Cast Zinc - Black

Key locking (FH333)	<b>HQTLDF12S01</b>	<b>HQTLDF12S02</b>	
Key Locking (FH333) with no defeater	<b>HQTLDF12S03</b>		
Non-locking	<b>HQTLDF13S01</b>	<b>HQTLDF16E502</b>	<b>HQTLDF13S03</b>
2 x 4 Slot	<b>HQTLDF17S01</b>	<b>HQTLDF17S01E</b>	<b>HQTLDF17S02</b>