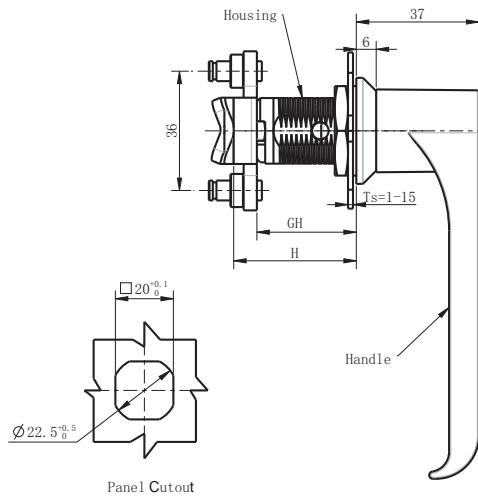
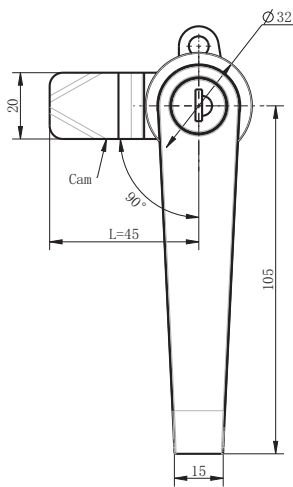


> HANDLE QUARTER TURN LOCKS

DESCRIPTION	For easy and secure latching and locking of doors and flaps. Wide range of inserts, cams, and accessories.
MATERIAL	Die-cast zinc / stainless steel
SURFACE	Black powder coated / chrome plated
SPECIALS	Right and left IP65 / NEMA 4



L-Handle Quarter Turn Locks	GH	Die-cast Zinc, black powder coated	Die-cast Zinc, chrome plated	Stainless Steel
FH333 Key locking	18	HQTL12	HQTL14	HQTL14E
Non-locking		HQTL13	HQTL15	HQTL16
FH333 Key locking	30	HQTL12GL30	HQTL14GL30	
Non-locking		HQTL13GL30	HQTL15GL30	
FH333 Key locking	50	HQTL12GL50	HQTL14GL50	
Non-locking		HQTL13GL50	HQTL15GL50	
FH333 Key locking	60	HQTL12GL60		
Non-locking		HQTL13GL60		