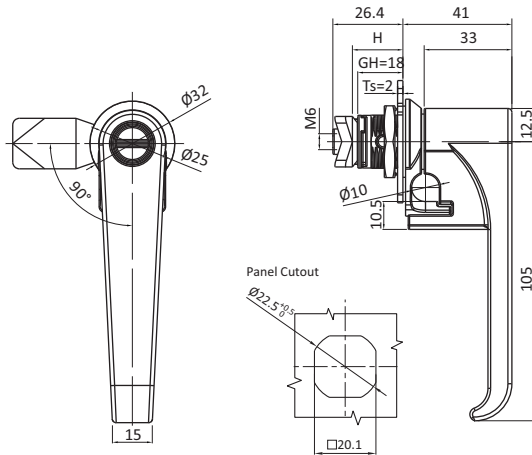


PAD LOCK COMPATIBLE L-HANDLE QUARTER TURN LOCKS

DESCRIPTION	For easy and secure latching and locking of doors and flaps. Wide range of inserts, cams, and accessories.
MATERIAL	Die-cast zinc
SURFACE	Black powder coated / chrome plated
SPECIALS	Right and left



Pad Lock Compatible L-Handle Quarter Turn Locks

 Die-cast Zinc,
 black powder coated

 Die-cast Zinc,
 chrome plated

2 x 4 coin proof

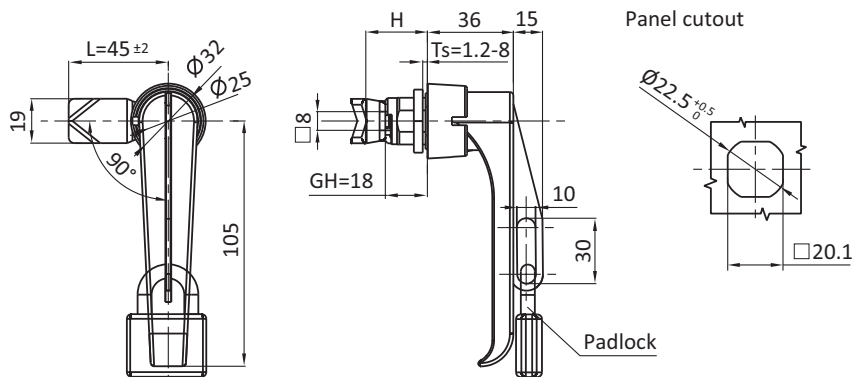
PLCLHQL14503
PLCLHQL1437

Non-locking

PLCLHQL14504
PLCLHQL1438

L-HANDLE QUARTER TURN LOCKS

DESCRIPTION	For easy and secure latching and locking of doors and flaps. Wide range of inserts, cams, and accessories.
MATERIAL	Die-cast zinc
SURFACE	Black powder coated / chrome plated
SPECIALS	Right and left



L-Handle Quarter Turn Locks

 Die-cast Zinc,
 black powder coated

 Die-cast Zinc,
 chrome plated

LHQL117
LHQL118