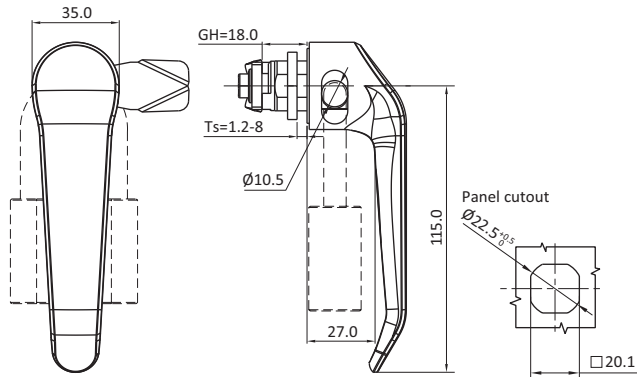


**L - HANDLE LOCK**

DESCRIPTION	For easy and secure latching and locking of doors and flaps. Wide range of cams and accessories.
MATERIAL	316 SS, Die Cast zinc
SPECIALS	Pad lock compatible



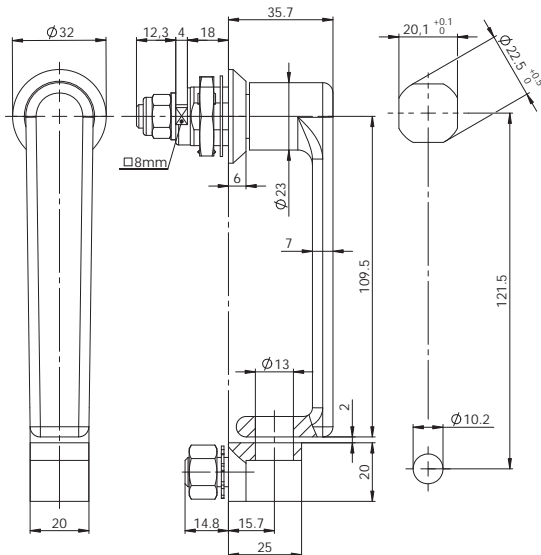
Quarter Turn Locks

Die cast Zinc/Black Powder coat

316 Stainless Steel

**LHL38501**
**LHL38**

DESCRIPTION	For easy and secure latching and locking of doors and flaps. Wide range of cams and accessories.
MATERIAL	316 SS, Die Cast zinc
SPECIALS	Pad lock compatible



Quarter Turn Locks

Die cast Zinc/Black Powder coat

316 Stainless Steel

**LHL393**
**LHL393E**