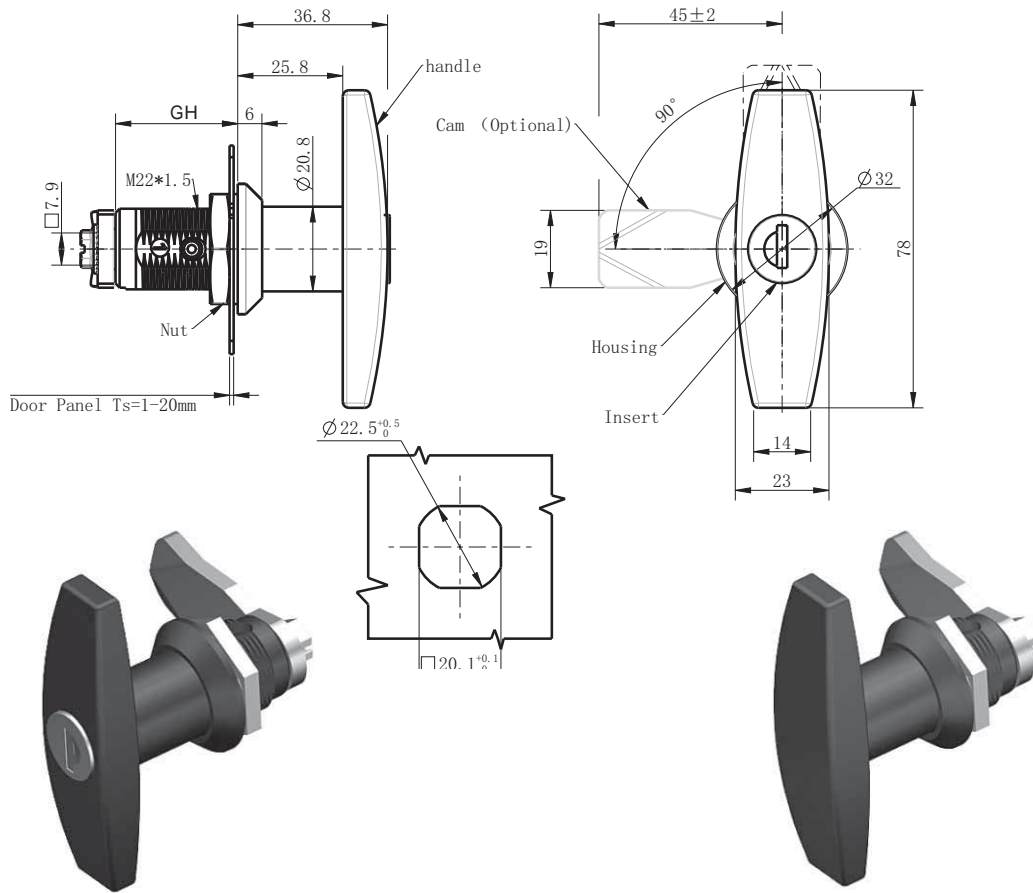


**> HANDLE QUARTER TURN  
LOCKS**

DESCRIPTION	For easy and secure latching and locking of doors and flaps. Wide range of inserts, cams, and accessories.
MATERIAL	Die-cast zinc / stainless steel / PA
SURFACE	Black powder coated / chrome plated
SPECIALS	Right and left IP65 / NEMA 4



T-Handle Quarter Turn Locks	GH	Die-cast Zinc, black powder coated	Die-cast Zinc, chrome plated	PA	316 Stainless Steel
Key locking		<b>HQTL03</b>	<b>HQTL05</b>	<b>HQTL002</b>	<b>HQTL05E</b>
Non-locking	<b>18</b>	<b>HQTL04</b>	<b>HQTL06</b>	<b>HQTL001</b>	<b>HQTL107</b>
Phillips Insert		<b>HQTL3S01</b>			
Key locking		<b>HQTL3S02</b>	<b>HQTL5S01</b>		
Non-locking	<b>30</b>	<b>HQTL4S01</b>	<b>HQTL6S02</b>		
Key locking		<b>HQTL3S05</b>			
Non-locking	<b>40</b>	<b>HQTL4S04</b>			
Key locking		<b>HQTL3S03</b>	<b>HQTL5S02</b>		
Non-locking	<b>50</b>	<b>HQTL4S02</b>	<b>HQTL6S03</b>		
Key locking		<b>HQTL3S04</b>	<b>HQTL5S03</b>		
Non-locking	<b>60</b>	<b>HQTL4S03</b>	<b>HQTL6S04</b>		