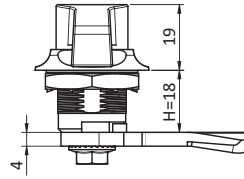
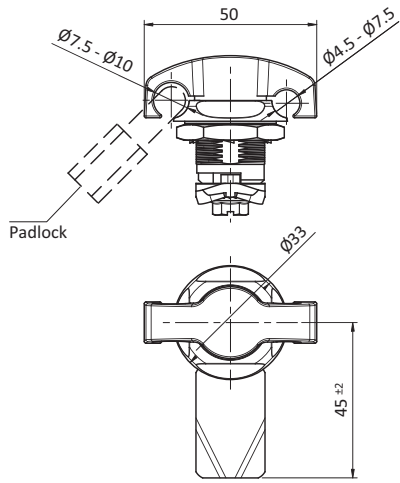
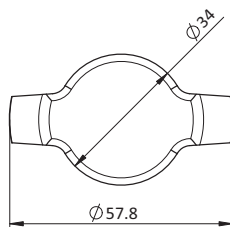
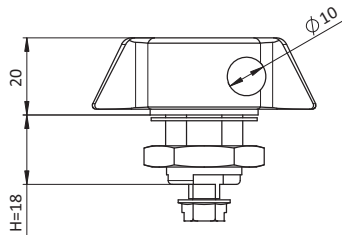
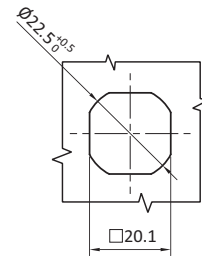


**PAD LOCK COMPATIBLE QUARTER TURN LOCKS**

DESCRIPTION	For easy and secure latching and locking of doors and flaps. Wide range of cams and accessories.
MATERIAL	Die-cast zinc / stainless steel
SURFACE	Black powder coated / chrome plated
SPECIALS	Right and left IP65 / NEMA 4



Panel Cutout


 Die-cast Zinc,  
 black powder coated

**PLCQTL182**
**PLCQTL182S01**

 Die-cast Zinc,  
 chrome plated

**PLCQTL376**

Stainless steel

**PLCQTL182E**

 Dual Padlock Hole  
 Single Padlock Hole