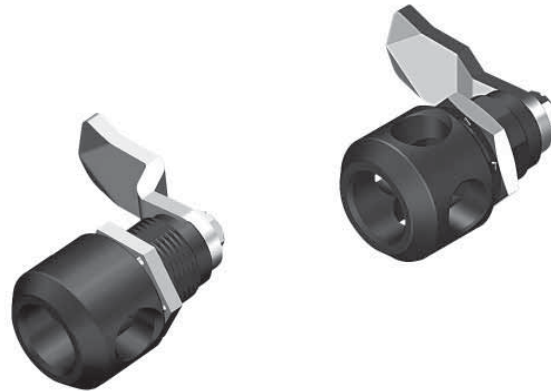
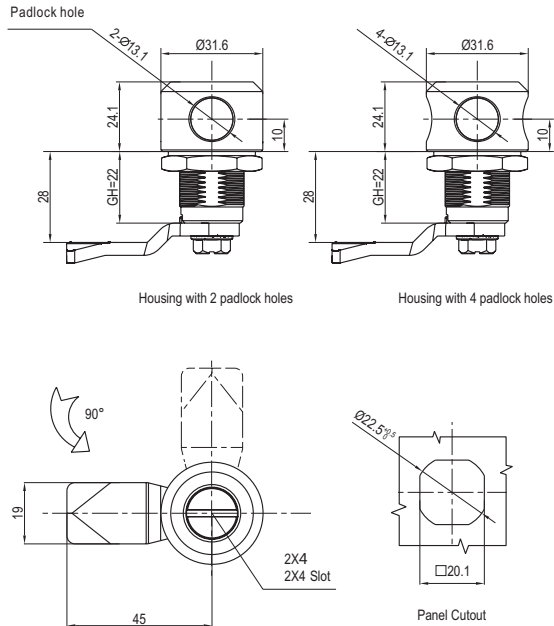


PAD LOCK COMPATIBLE QUARTER TURN LOCKS

DESCRIPTION	For easy and secure latching and locking of doors and flaps with padlock option. Wide range of inserts, cams, and accessories. Two and four padlock holes.
MATERIAL	Die-cast zinc / stainless steel
SURFACE	Black powder coated
SPECIALS	Right and left



Pad Lock Compatible Quarter Turn Locks	Insert Type	GH = 22 Die-cast Zinc black powder coated	GH = 22 Full 316 SS
Housing with two padlock holes	Double bit 3mm	PLCQTL71	PLCQTL79
	Double bit 4mm	PLCQTL72	PLCQTL80
	Double bit 5mm	PLCQTL73	PLCQTL81
	Slot 2 X 4	PLCQTL74	PLCQTL82
	Triangular 7mm	PLCQTL75	PLCQTL83
	Triangular 8mm	PLCQTL76	PLCQTL84
	Square 7mm	PLCQTL77	PLCQTL85
	Square 8mm	PLCQTL78	PLCQTL86
Housing with four padlock holes	Double bit 3mm	PLCQTL42	PLCQTL42E
	Double bit 4mm	PLCQTL43	PLCQTL43E
	Double bit 5mm	PLCQTL44	PLCQTL44E
	Slot 2 X 4	PLCQTL45	PLCQTL45E
	Triangular 7mm	PLCQTL46	PLCQTL46E
	Triangular 8mm	PLCQTL47	PLCQTL47E
	Square 7mm	PLCQTL48	PLCQTL48E
Square 8mm	PLCQTL49	PLCQTL49E	