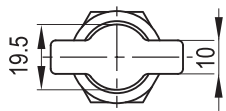
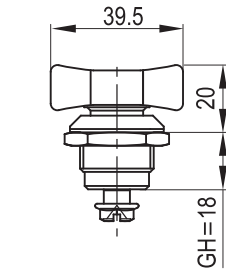


**WING KNOB QUARTER TURN LOCKS**



Wingknob

DESCRIPTION	For easy and secure latching and locking of doors and flaps. Wide range of inserts, cams, and accessories.
MATERIAL	Die-cast zinc Cam: Mild steel
SURFACE	Black powder coated / chrome plated Cam: Zinc plated
SPECIALS	Right and left



**Quarter Turn Locks**

Wing knob

Die-cast Zinc,  
black powder coated

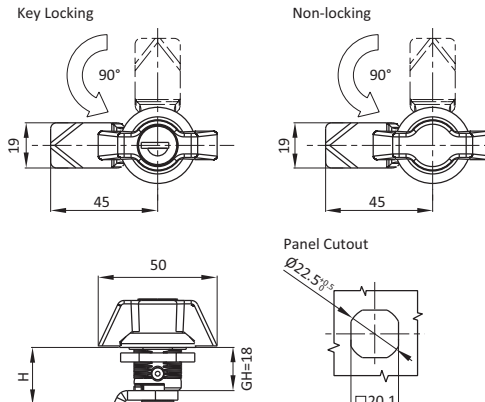
**WKQTL56**

Die-cast Zinc,  
chrome plated

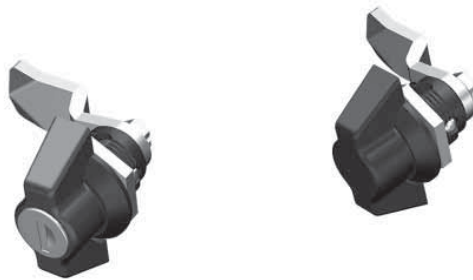
**WKQTL38**

Compatible cams see pages 47, 213-228  
Chapter 5 and 9 for accessories

**WING KNOB QUARTER TURN LOCKS**



DESCRIPTION	For easy and secure latching and locking of doors and flaps. Wide range of inserts, cams, and accessories.
MATERIAL	Die-cast zinc / 316 SS
SURFACE	Black powder coated / chrome plated
SPECIALS	Right and left Keyed different on request FH751 Key code on request



**Wing Knob Quarter Turn Locks**

FH333 Key locking	Die-cast Zinc, black powder coated	Die-cast Zinc, chrome plated	316 SS
Non-locking	<b>WKQTL68</b>	<b>WKQTL66</b>	<b>WKQTL66E</b>
	<b>WKQTL69</b>	<b>WKQTL67</b>	<b>WKQTL67E</b>