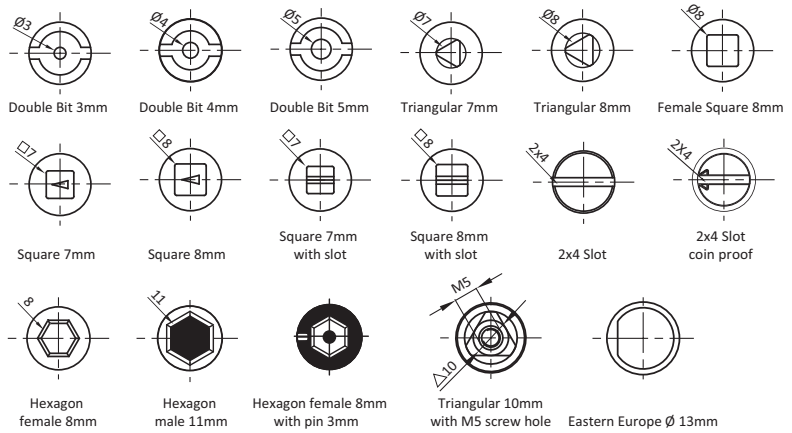
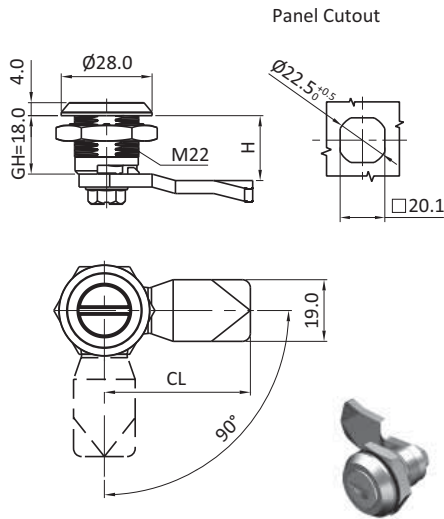




QUARTER TURN LOCK INDUSTRY STANDARD

DESCRIPTION	For easy and secure latching and locking of doors and flaps. Wide range of inserts, cams, and accessories.
MATERIAL	Die-cast zinc / 304 stainless steel / PA
SURFACE	Black powder coated / chrome plated
SPECIALS	Right and left IP65 / NEMA 4



INDUSTRY STANDARD

Insert Type	Die-cast Zinc, black powder coated	Die-cast Zinc, chrome plated	PA Housing with Die-cast Zinc Insert	SS 316
Double bit 3mm	QTLIS42	QTLIS24	QTLIS534	QTLIS59
Double bit 4mm	QTLIS43	QTLIS25	QTLIS535	QTLIS60
Double bit 5mm	QTLIS44	QTLIS26	QTLIS536	QTLIS61
Slot 2 x 4	QTLIS45	QTLIS27	QTLIS537	QTLIS27E
Slot 2 x 4 Coin Proof	QTLIS45S01	QTLIS45S02	QTLIS538	
Triangular 7mm	QTLIS46	QTLIS28	QTLIS539	QTLIS62
Triangular 8mm	QTLIS47	QTLIS29	QTLIS540	QTLIS63
Square 6mm	QTLIS554	QTLIS555	QTLIS541	
Square 7mm	QTLIS48	QTLIS30	QTLIS542	QTLIS64
Square 8mm	QTLIS49	QTLIS31	QTLIS543	QTLIS65
Square with slot 7mm	QTLIS50	QTLIS32	QTLIS544	
Square with slot 8mm	QTLIS51	QTLIS33	QTLIS545	
Female square 7mm	QTLIS52	QTLIS34	QTLIS546	
Female hexagon 8mm	QTLIS53	QTLIS35	QTLIS547	
Female hexagon 9mm	QTLIS53S01	QTLIS35S01	QTLIS548	
Female hexagon 10mm	QTLIS561	QTLIS560	QTLIS549	
Female hexagon 8mm with 3 mm pin	QTLIS54	QTLIS36	QTLIS550	
Male hexagon 11mm	QTLIS55	QTLIS37	QTLIS551	
Eastern Europe 13mm	QTLIS556	QTLIS557	QTLIS552	
Triangular with M5 Screw Hole 10mm	QTLIS558	QTLIS559	QTLIS553	
Keyed FH333	QTLIS41	QTLIS123		QTLIS23E