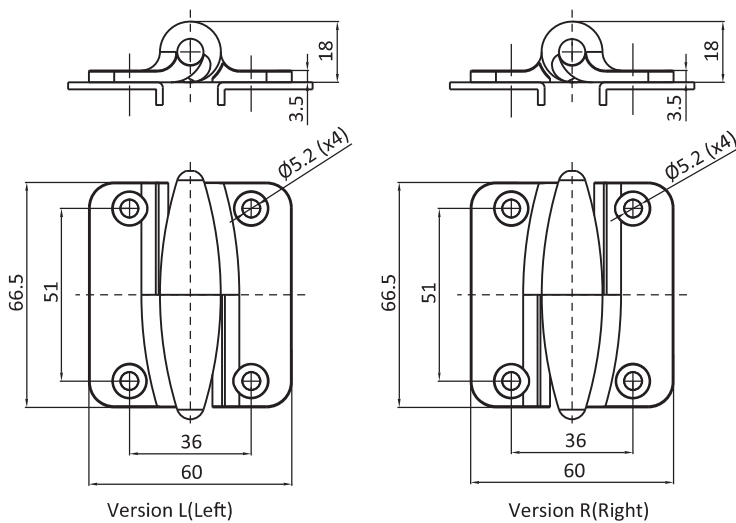


**SCREW-ON HINGE**

DESCRIPTION	To hinge panels
MATERIAL	Hinge leaves: Die cast zinc Pin: SS
SURFACE	Black powder coated / chrome plated
SPECIALS	Lift off Left and right



Screw-On Hinge

Left

Right

Black powder coat

**SOH313**
**SOH314**

Chrome plate

**SOH315**
**SOH316**