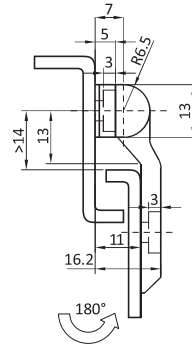
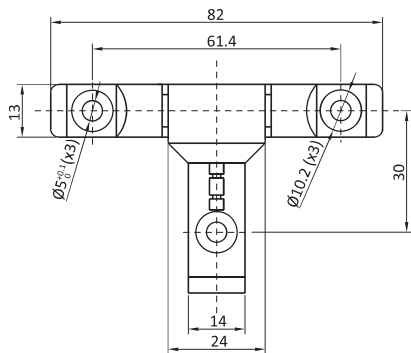


**SCREW-ON HINGE**

DESCRIPTION	To hinge panels
MATERIAL	Hinge leaves: Die-cast zinc Hinge pin and mounting pin: Mild steel
SURFACE	Hinge leaves: Black powder coated



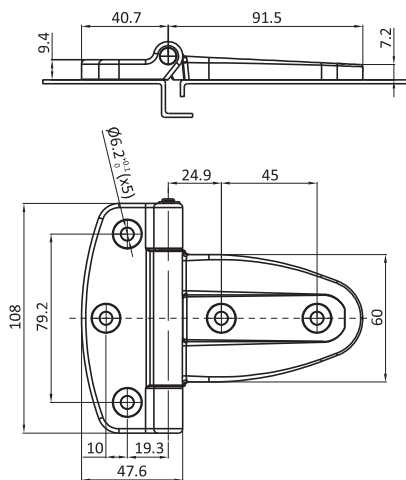
Screw-On Hinge

Black Powder Coated

**SOH080**

**SCREW-ON HINGE**

DESCRIPTION	To hinge panels
MATERIAL	Hinge leaves: Die cast zinc Pin: SS
SURFACE	Hinge leaves: Black
SPECIALS	Non lift off Left and right



Screw-On Hinge

Part #

**SOH317**