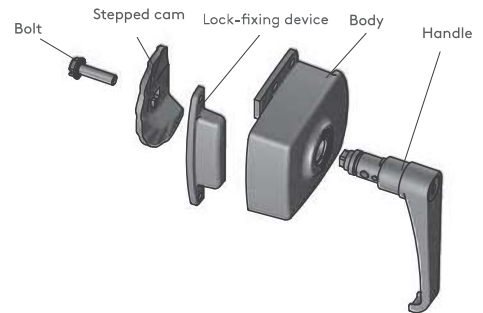
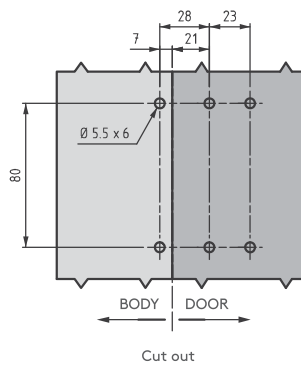
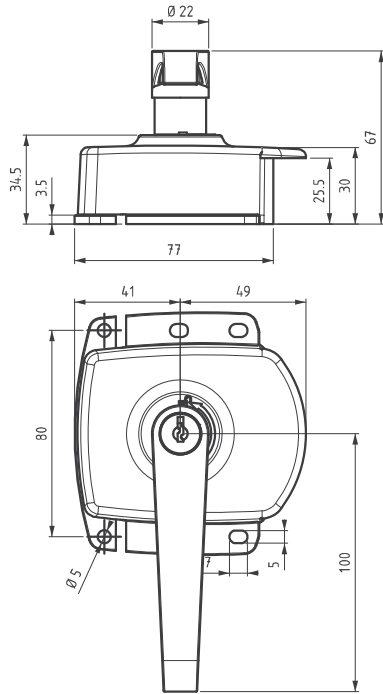


**HVAC LOCK L HANDLE**

DESCRIPTION	HVAC Lock L Handle
MATERIAL	Body: Die Cast Zinc CYLINDER: See Table Below
COLOR	See Table Below



BODY: Zamak (Die Cast Zinc)

BODY: PA6 30

Cylinder Type	Finish: Black Powder Coated	Finish: Chrome Plated	Finish: None	Finish: None
No Cylinder	<b>HLLH458</b>	<b>HLLH459</b>	<b>HLLH460</b>	<b>HLLH461</b>
SS Keyed Alike	<b>HLLH462</b>	<b>HLLH463</b>	<b>HLLH464</b>	<b>HLLH465</b>
SS Keyed Different	<b>HLLH466</b>	<b>HLLH467</b>	<b>HLLH468</b>	<b>HLLH469</b>
FH333	<b>HLLH470</b>	<b>HLLH471</b>	<b>HLLH472</b>	<b>HLLH473</b>
CH751	<b>HLLH474</b>	<b>HLLH475</b>	<b>HLLH476</b>	<b>HLLH477</b>