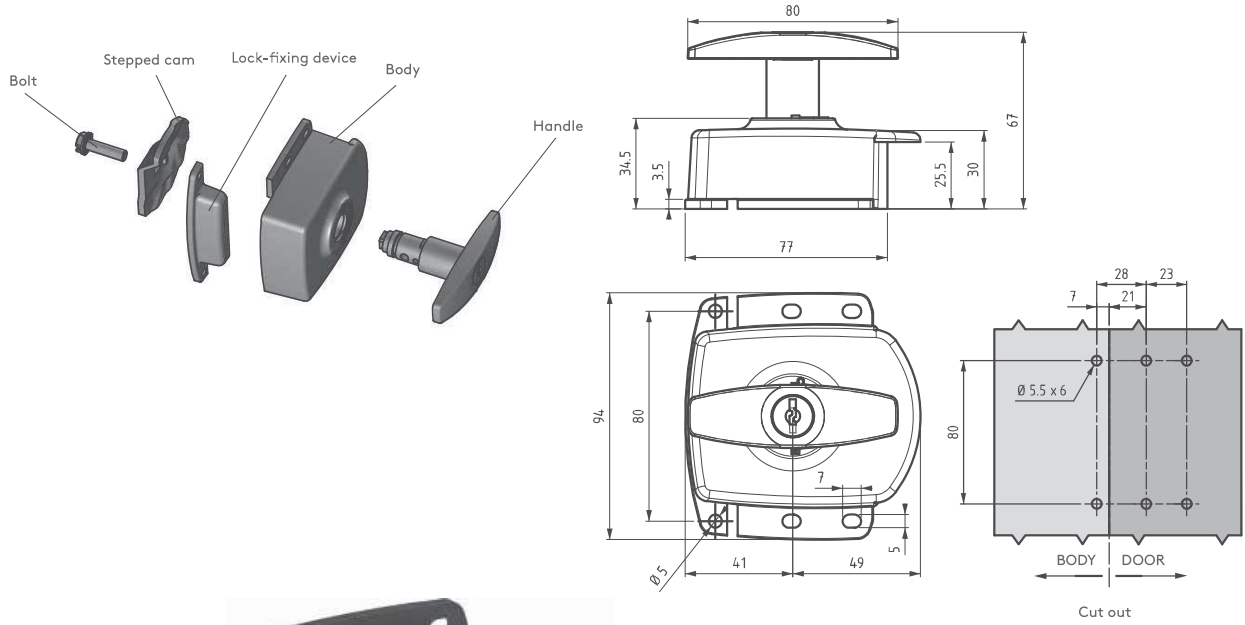


HVAC LOCK T HANDLE

DESCRIPTION	HVAC Lock T Handle
MATERIAL	Body: Die Cast Zinc CYLINDER: See Table Below
COLOR	See Table Below



BODY: Zamak (Die Cast Zinc)

BODY: PA6 30

Cylinder Type	BODY: Zamak (Die Cast Zinc)			
	Finish: Black Powder Coated	Finish: Chrome Plated	Finish: None	Finish: None
No Cylinder	HLTH438	HLTH439	HLTH440	HLTH441
SS Keyed Alike	HLTH442	HLTH443	HLTH444	HLTH445
SS Keyed Different	HLTH446	HLTH447	HLTH448	HLTH449
FH333	HLTH450	HLTH451	HLTH452	HLTH453
CH751	HLTH454	HLTH455	HLTH456	HLTH457