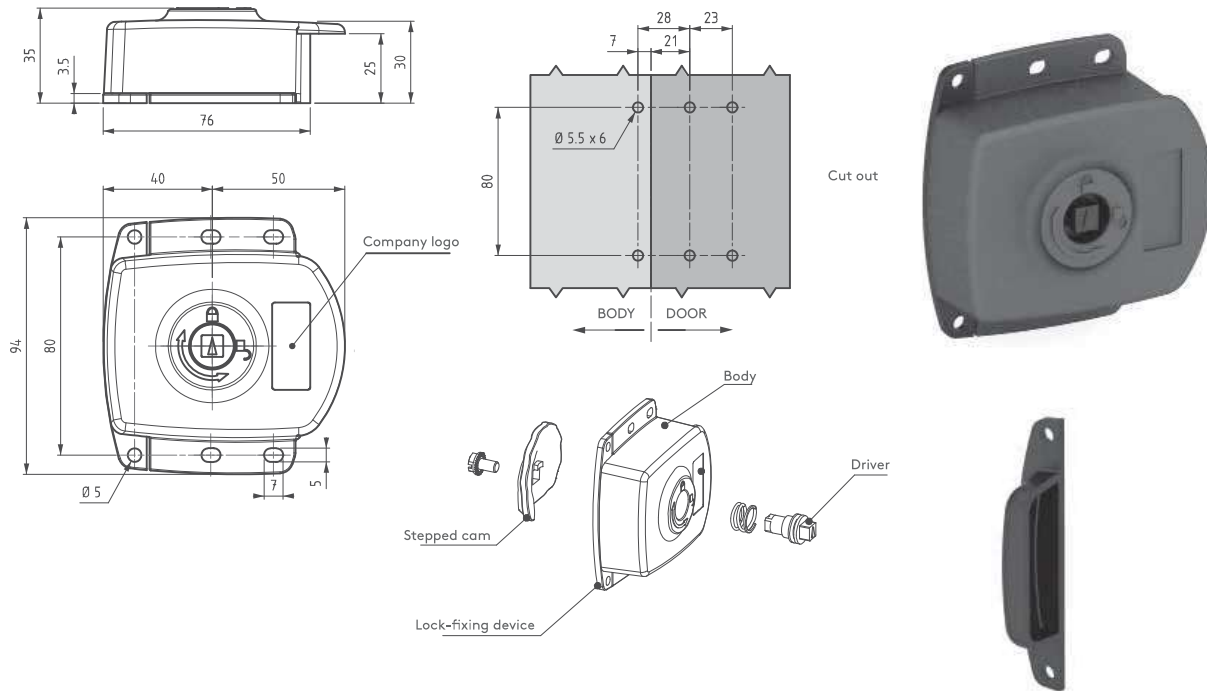


HVAC LOCK

DESCRIPTION	HVAC Lock
MATERIAL	Body: Die Cast Zinc Driver: See Table Below
COLOR	See Table Below



Insert Type	BODY CHROME			BODY BLACK POWDER COATED		
	Die-cast Zinc, black powder coated	Die-cast Zinc, chrome plated	PA6 30	Die-cast Zinc, black powder coated	Die-cast Zinc, chrome plated	PA6 30
Double bit 3mm	HL342	HL343	HL344	HL390	HL391	HL392
Double bit 5mm	HL345	HL346	HL347	HL393	HL394	HL395
Slot 2 x 4	HL348	HL349	HL350	HL396	HL397	HL398
Slot 2 x 4 Coin Proof	HL351	HL352		HL399	HL400	
Triangular 7mm	HL353	HL354	HL355	HL01	HL02	HL403
Triangular 8mm	HL356	HL357	HL358	HL404	HL405	HL406
Triangular 9mm	HL359	HL360	HL361	HL407	HL408	HL409
Square 6mm	HL362	HL363	HL364	HL410	HL411	HL412
Square 7mm	HL365	HL366	HL367	HL413	HL414	HL415
Square 8mm	HL368	HL369	HL370	HL416	HL417	HL418
Square with slot 8mm	HL371	HL372		HL419	HL420	
Female square 6mm	HL373	HL374		HL421	HL422	
Female hexagon 8mm	HL375	HL376		HL423	HL424	
Female hexagon 10mm	HL377	HL378		HL425	HL426	
Male hexagon 11mm	HL379	HL380		HL427	HL428	
Eastern Europe 13mm	HL381	HL382		HL429	HL430	
5 x 10 Slot	HL383	HL384		HL431	HL432	
Railway	HL385	HL386		HL433	HL434	
Torx (T30)	HL387			HL435		
Flat	HL388	HL389		HL436	HL437	