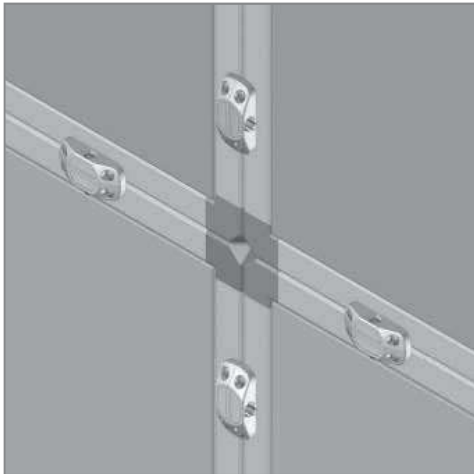
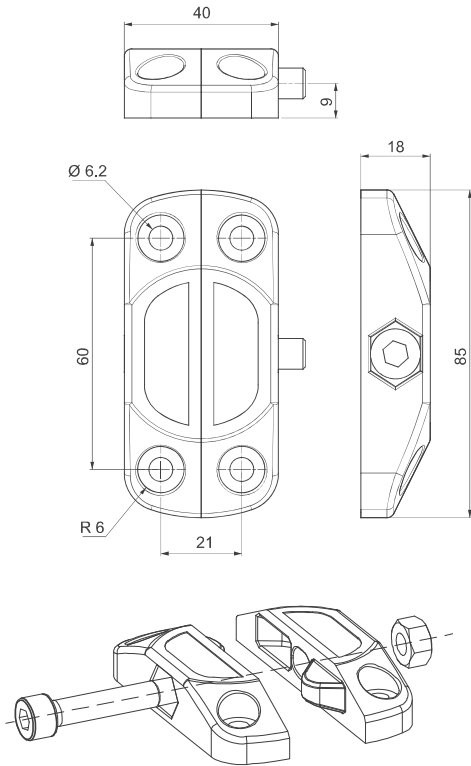


HVAC CLAMPS

DESCRIPTION	HVAC Clamp
MATERIAL	Body: Zinc Screw and Nut: Steel Zinc Plated
COLOR	Noted in Table



Clamp Finish	Part #
No Finish	HC338
Zinc Plated	HC339
Black Coated	HC340