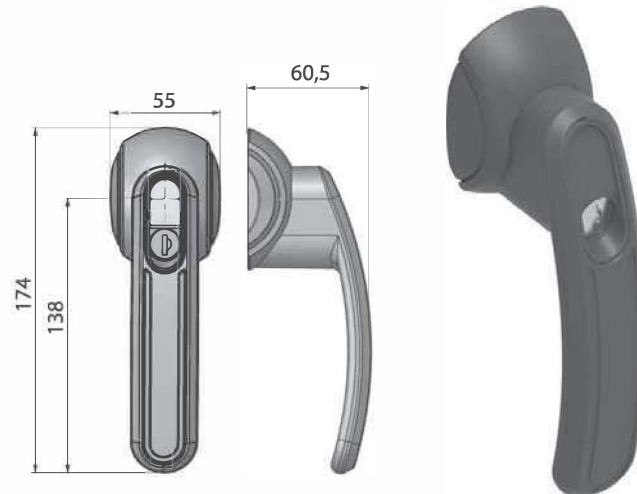
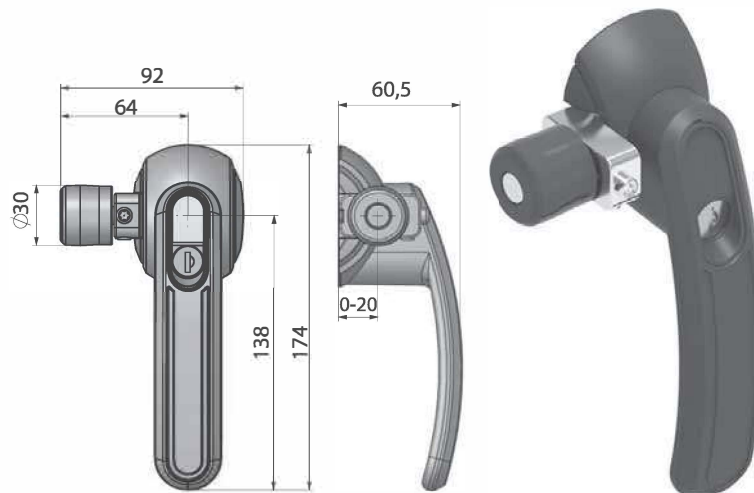


HVAC HANDLE

DESCRIPTION	HVAC Handles
MATERIAL	Handle: PA6 GF30 Cam: Steel, PA6 GF30 Gasket: Polyurethane
COLOR	Black
CAM	See HC-Series for cam options

Handle for outward opening doors

Handle for inward opening doors


	Handle	Panel Thickness (mm) Part #				
		30	40	50	60	70
Handle For Outward Opening Doors	HH23S30	HH23S40	HH23S50	HH23S60	HH23S70	HH23S80
Handle For Inward Opening Doors	HH24S30	HH24S40	HH24S50	HH24S60	HH24S70	HH24S80