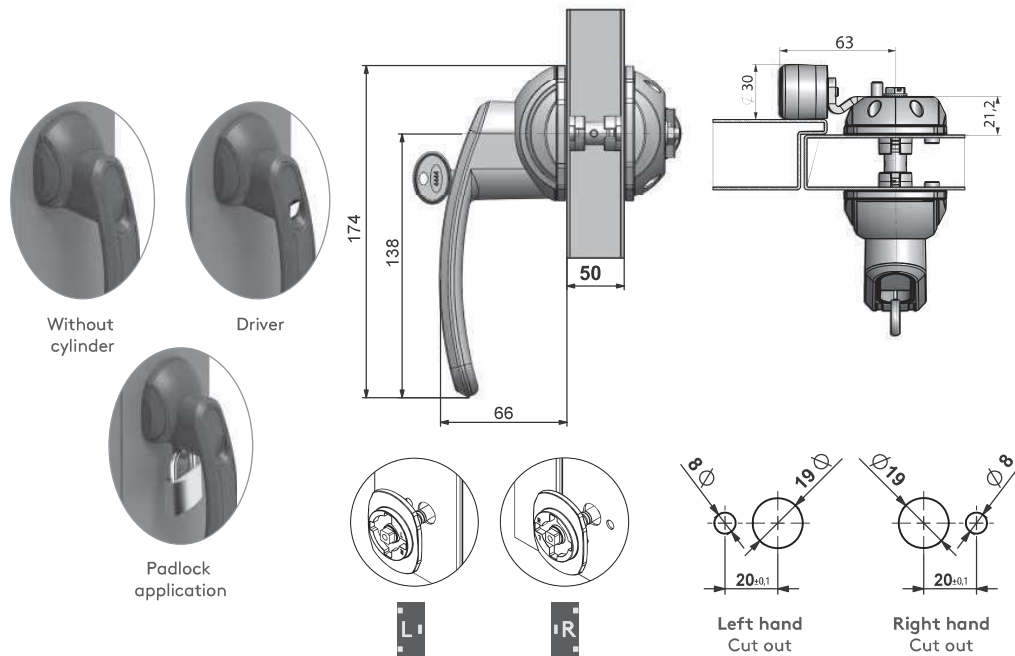


HVAC LATCH INTERNAL CAM

DESCRIPTION	HVAC Lock For Internal Application
MATERIAL	Handle: PA6 GF30 Cam: Steel, PA6 GF30 Gasket: Polyurethane
COLOR	Black
CAM	See HLEC-Series for Cam Options



	Slide Latch	Panel Thickness [mm] Part #					
		30	40	50	60	70	80
Without Cylinder		HLIC-WC-0S30	HLIC-WC-0S40	HLIC-WC-0S50	HLIC-WC-0S60	HLIC-WC-0S70	HLIC-WC-S80
Keyed Alike		HLIC-KA-1S30	HLIC-KA-1S40	HLIC-KA-1S50	HLIC-KA-1S60	HLIC-KA-1S70	HLIC-KA-1S80
Keyed Different		HLIC-KD-2S30	HLIC-KD-2S40	HLIC-KD-2S50	HLIC-KD-2S60	HLIC-KD-2S70	HLIC-KD-2S80
FH333		HLIC-FH333-3S30	HLIC-FH333-3S40	HLIC-FH333-3S50	HLIC-FH333-3S60	HLIC-FH333-3S70	HLIC-FH333-3S80
8mm Square		HLIC-8MMS-4S30	HLIC-8MMS-4S40	HLIC-8MMS-4S50	HLIC-8MMS-4S60	HLIC-8MMS-4S70	HLIC-8MMS-4S80
10mm Square		HLIC-10MMS-5S30	HLIC-10MMS-5S40	HLIC-10MMS-5S50	HLIC-10MMS-5S60	HLIC-10MMS-5S70	HLIC-10MMS-5S80
7mm Triangle		HLIC-7MMT-6S30	HLIC-7MMT-6S40	HLIC-7MMT-6S50	HLIC-7MMT-6S60	HLIC-7MMT-6S70	HLIC-7MMT-6S80
8mm Triangle		HLIC-8MMT-7S30	HLIC-8MMT-7S40	HLIC-8MMT-7S50	HLIC-8MMT-7S60	HLIC-8MMT-7S70	HLIC-8MMT-7S80