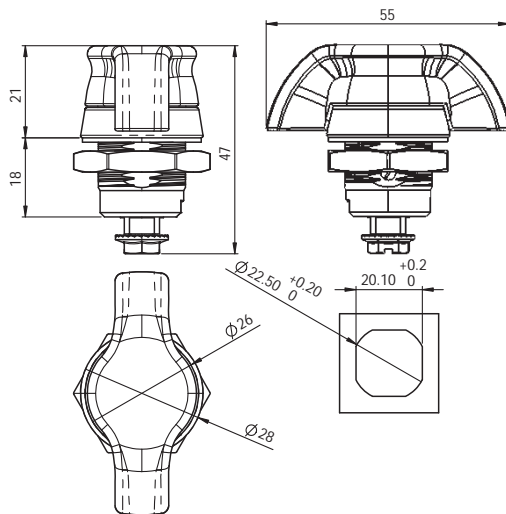
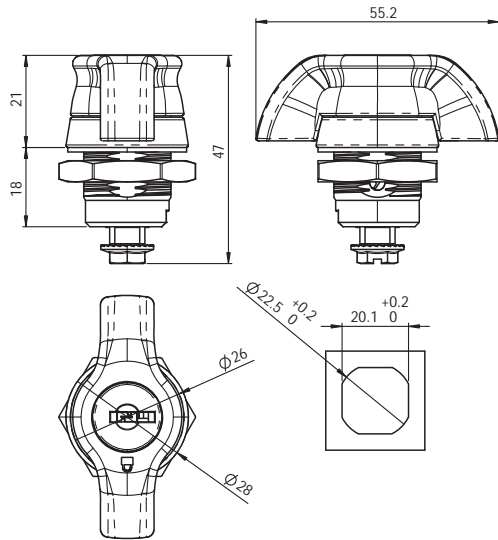




DESCRIPTION	For easy and secure latching and locking of doors and flaps. Wide range of inserts, cams, and accessories.
MATERIAL	Die-cast zinc
SURFACE	Black powder coated / chrome plated
SPECIALS	Right and left



Stainless Steel

FH333 LOCKING
NON LOCKING

SWKQTL68S03
SWKQTL69S03