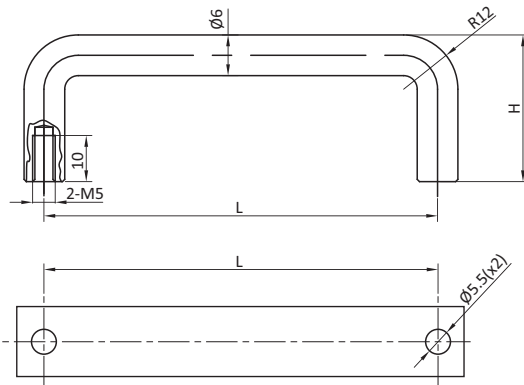


U SHAPE HANDLES

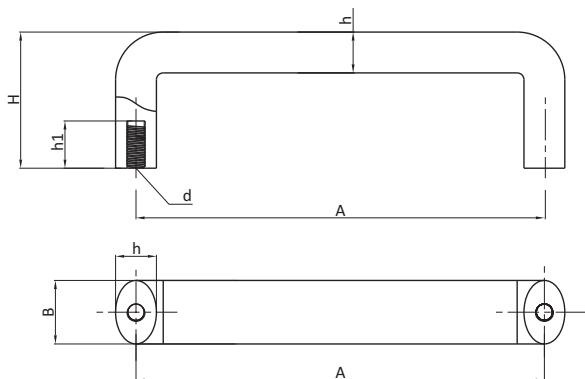
DESCRIPTION	To mount on flaps, doors, and aluminum profiles
MATERIAL	Mild Steel 304 SS
SURFACE	Chrome plated



L [mm]	H [mm]	304 SS	Mild Steel
87.0mm	40	USH-SS-07	USH-MS-12
100.0mm	40	USH-SS-08	USH-MS-13
120.0mm	40	USH-SS-09	USH-MS-14
135.0mm	40	USH-SS-10	USH-MS-15
150.0mm	40	USH-SS-11	USH-MS-16

U SHAPE HANDLES

DESCRIPTION	To mount on flaps, doors, and aluminum profiles
MATERIAL	PA6 GF30
COLOR	Black



Description	A (mm)	H (mm)	d (mm)	h1 (mm)	b (mm)	h (mm)	Part #
90 x M6	90	50	M6	14	28	18	USH-B-18
120 x M8	120	60	M8	16	28	20	USH-B-19
180 x M8	180	60	M8	16	28	20	USH-B-20
240 x M8	240	60	M8	16	28	20	USH-B-21