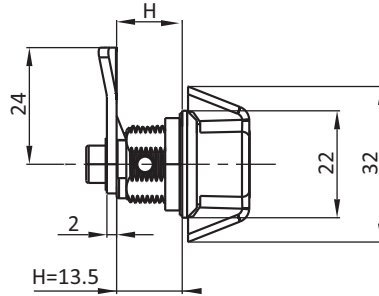
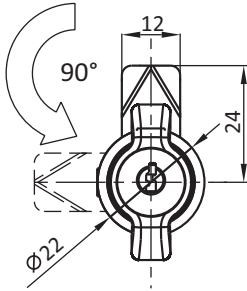




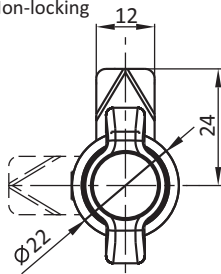
SMALL WING KNOB QUARTER TURN LOCKS

DESCRIPTION	For easy and secure latching and locking of doors and flaps. Wide range of inserts, cams, and accessories.
MATERIAL	Die-cast zinc
SURFACE	Black powder coated / chrome plated
SPECIALS	Right and left IP65 / NEMA 4

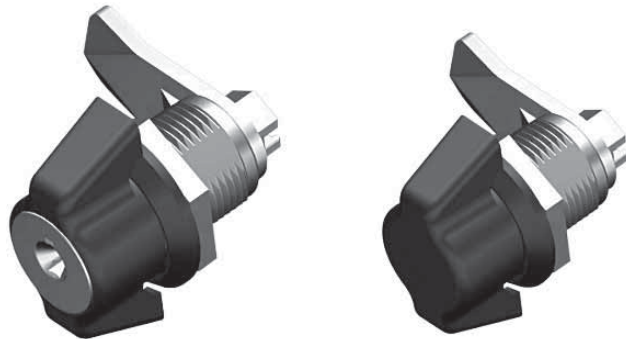
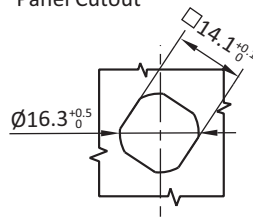
Key Locking



Non-locking



Panel Cutout



Small Wing Knob Quarter Turn Lock	H Dimension [mm]	Die-cast Zinc, black powder coated	Die-cast Zinc, chrome plated
Non-locking	7.5	SWKQTL77S03	SWKQTL75S01
	13.5	SWKQTL77S01	SWKQTL75
	19.5	SWKQTL77S04	SWKQTL75S02
Key locking	7.5	SWKQTL76S05	SWKQTL74S01
	13.5	SWKQTL76	SWKQTL74
	19.5	SWKQTL76S06	SWKQTL74S02