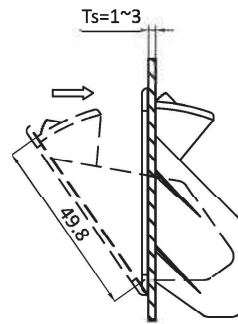
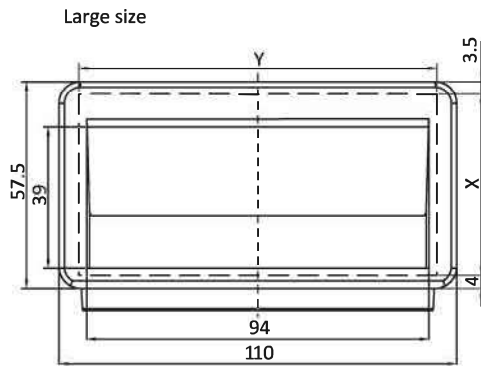


POCKET PULL HANDLE

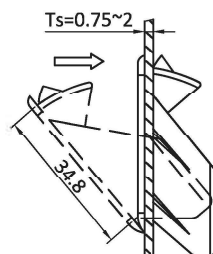
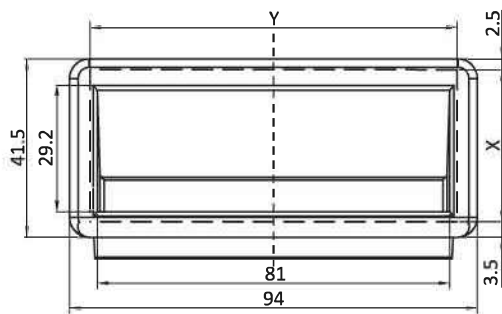
DESCRIPTION	Concealed handle to mount on flaps and doors
MATERIAL	PA6 GF30
BOLOR	Black



Panel cutout

Ts(mm)	X	Y
1.5~2	49.8 ^{+0.2}	99.5
2~3	50 ^{+0.3}	99.5

Small size



Panel cutout

Ts(mm)	X	Y
0.75~1	35 ^{+0.2}	85 ^{+0.3}
1~2	36 ^{+0.2}	85 ^{+0.3}

Pocket Pull Handle

Part #

Large	PPHL08
Small	PPHS09