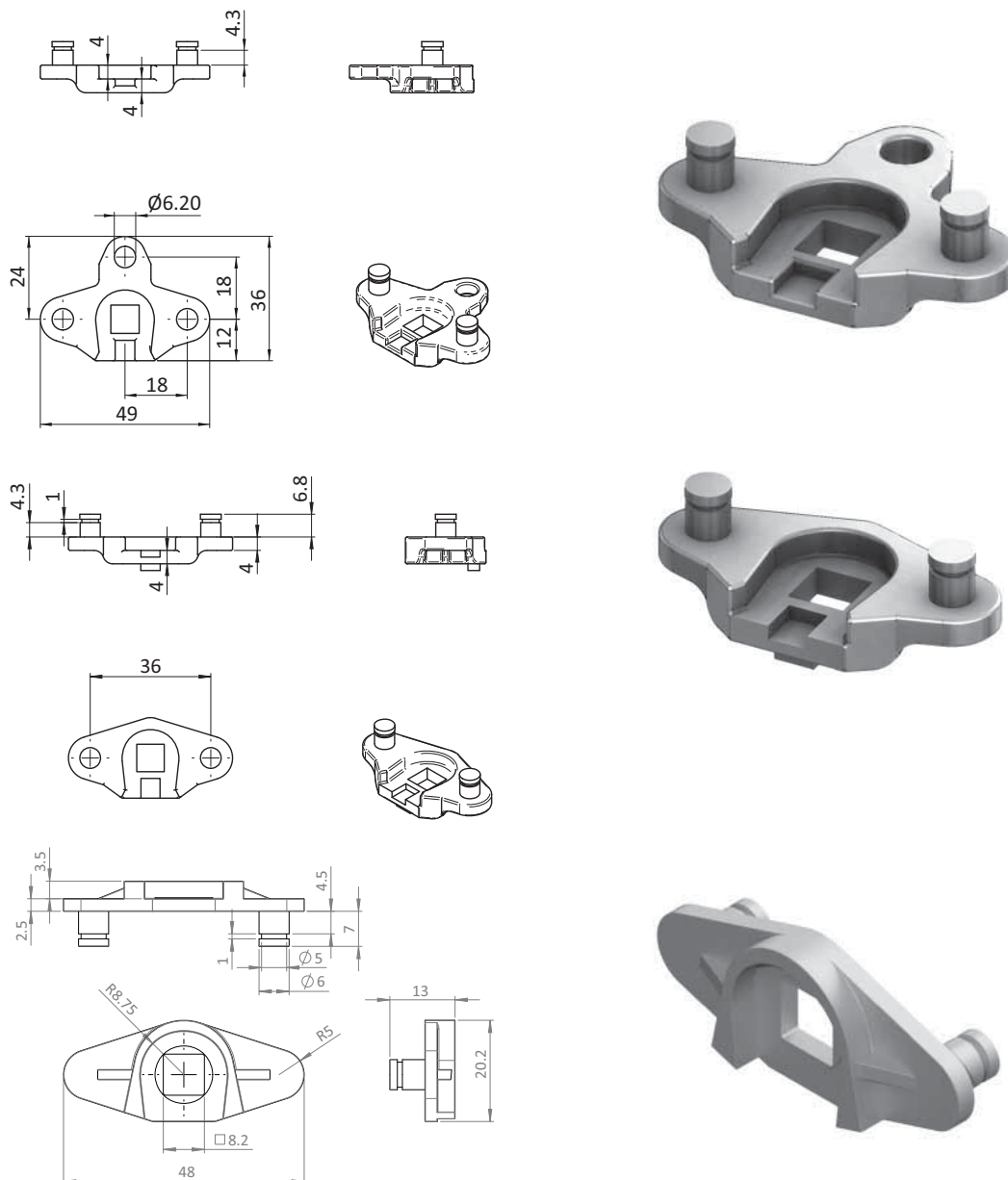


FOUR / THREE POINT CAM ADAPTERS

DESCRIPTION	For quicker assembly of quarter turns replaces the need for quarter turn mounting nuts
MATERIAL	Die cast zinc
SURFACE	Zinc plated

Use adapters with Cam styles A and B



Four / Three Point Cam

Part #

Four point cam adapter

CA-4-526

Three point cam adapter

CA-3-527

Three point cam adapter with reverse side cam mounting

CA-3RSCM-527S01