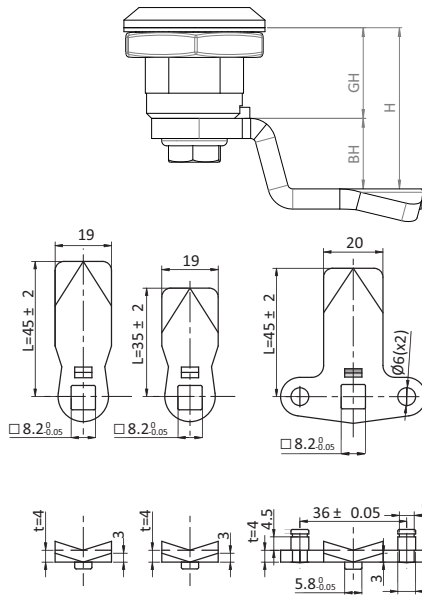
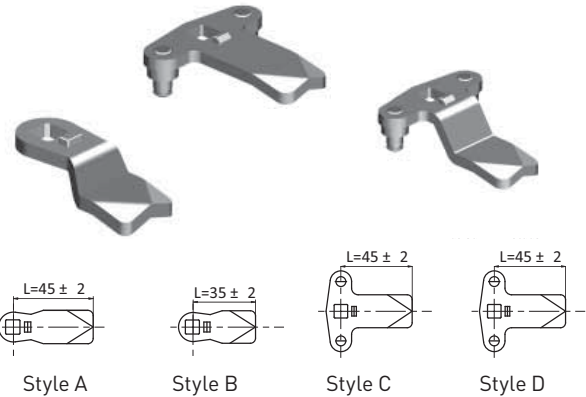


STANDARD QUARTER TURN CAMS


Stainless Steel available on request

DESCRIPTION	Standard cams for standard quarter turns. Contains 3mm ramps. Cam contains a stop for quarter turns that do not have internal restraints.
MATERIAL	Mild steel
SURFACE	Zinc plated
SPECIALS	Other materials and custom cams on request



	BH	GH = 18 Standard	GH = 30	GH = 36	GH = 40	GH = 50	GH = 60	Style A	Style B	Style C	Style D
H = GH + BH	-16	2	14	20	24	34	44	SQTCA247			
	-14	4	16	22	26	36	46	SQTCA248		SQTCC295	SQTCD321
	-12	6	18	24	28	38	48	SQTCA249	SQTCB276	SQTCC296	SQTCD322
	-10	8	20	26	30	40	50	SQTCA250	SQTCB277	SQTCC297	SQTCD323
	-8	10	22	28	32	42	52	SQTCA251	SQTCB278	SQTCC298	SQTCD324
	-5	13	25	31	35	45	55	SQTCA252	SQTCB279	SQTCC299	SQTCD325
	-4	14	26	32	36	46	56	SQTCA253	SQTCB280	SQTCC300	SQTCD326
	-2	16	28	34	38	48	58	SQTCA254	SQTCB281	SQTCC301	SQTCD327
	0	18	30	36	40	50	60	SQTCA255	SQTCB282	SQTCC302	SQTCD328
	2	20	32	38	42	52	62	SQTCA256	SQTCB283	SQTCC303	SQTCD329
	4	22	34	40	44	54	64	SQTCA257	SQTCB284	SQTCC304	SQTCD330
	6	24	36	42	46	56	66	SQTCA258	SQTCB285	SQTCC305	SQTCD331
	7	25	37	43	47	57	67	SQTCA259	SQTCB286	SQTCC306	SQTCD332
	8	26	38	44	48	58	68	SQTCA260	SQTCB287	SQTCC307	SQTCD333
	10	28	40	46	50	60	70	SQTCA261	SQTCB288	SQTCC308	SQTCD334
	12	30	42	48	52	62	72	SQTCA262	SQTCB289	SQTCC309	SQTCD335
	14	32	44	50	54	64	74	SQTCA263		SQTCC310	SQTCD336
	16	34	46	52	56	66	76	SQTCA264		SQTCC311	SQTCD337
	17	35	47	53	57	67	77	SQTCA265	SQTCB290	SQTCC312	SQTCD338
	18	36	48	54	58	68	78	SQTCA266		SQTCC313	SQTCD339
	20	38	50	56	60	70	80	SQTCA267	SQTCB291	SQTCC314	SQTCD340
	22	40	52	58	62	72	82	SQTCA268	SQTCB292	SQTCC315	SQTCD341
	24	42	54	60	64	74	84	SQTCA269	SQTCB293	SQTCC316	SQTCD342
	26	44	56	62	66	76	86	SQTCA270	SQTCB294	SQTCC317	SQTCD343
	27	45	57	63	67	77	87	SQTCA271		SQTCC318	SQTCD344
	29	47	59	65	69	79	89	SQTCA272		SQTCC319	SQTCD345
	32	50	62	68	72	82	92	SQTCA273		SQTCC320	SQTCD346
	35	53	65	71	75	85	95	SQTCA274			
	37	55	67	73	77	87	97	SQTCA275			