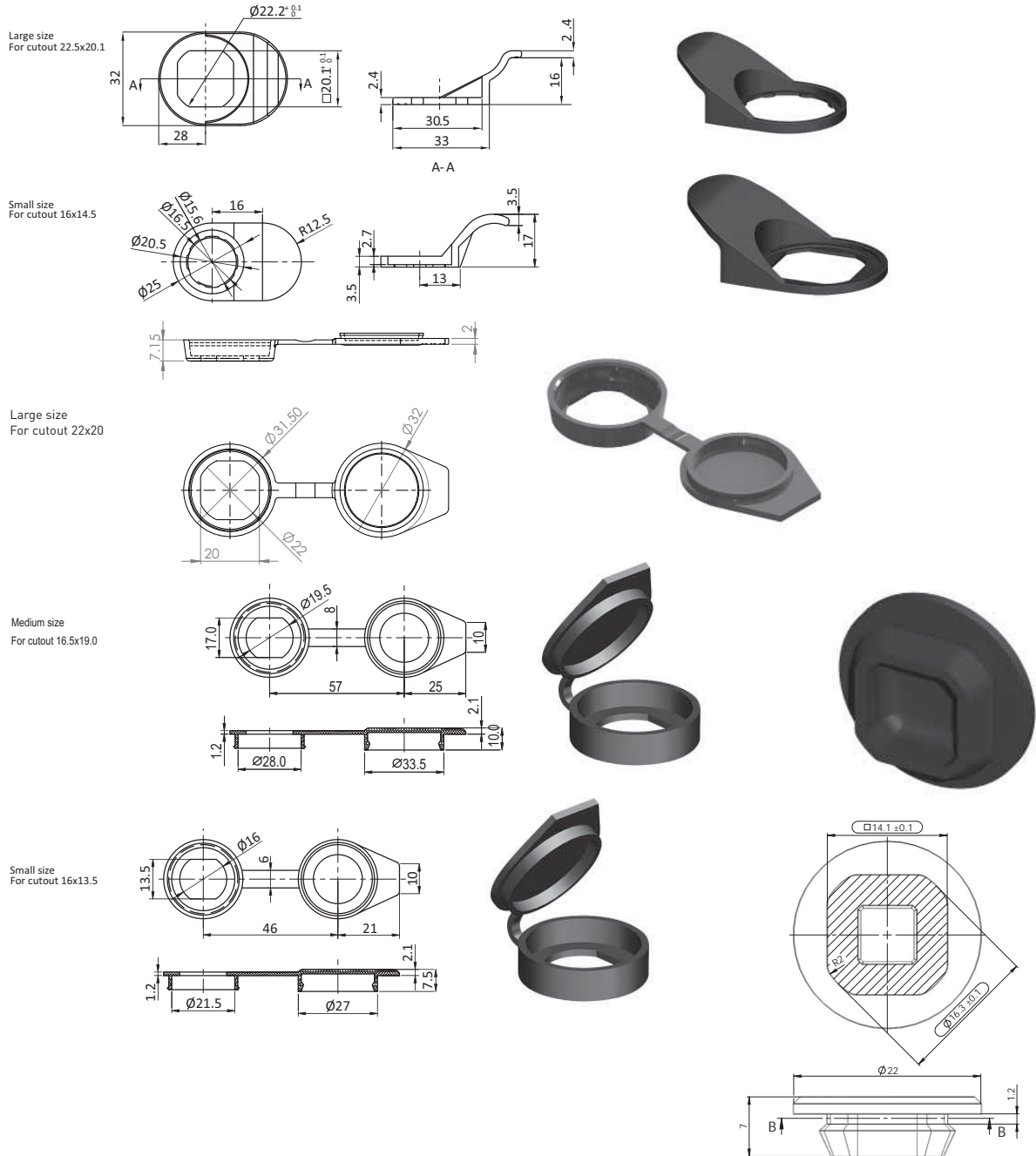


FINGER PULL / COVER

DESCRIPTION	Accessory for 1/4 turn locks
MATERIAL	PA
COLOR	Black



	Large size	Medium size	Small size
Finger Pull	FPCL34		FPCS35
Cover		FPCM37S01	FPCS37
Plug			FPCS289