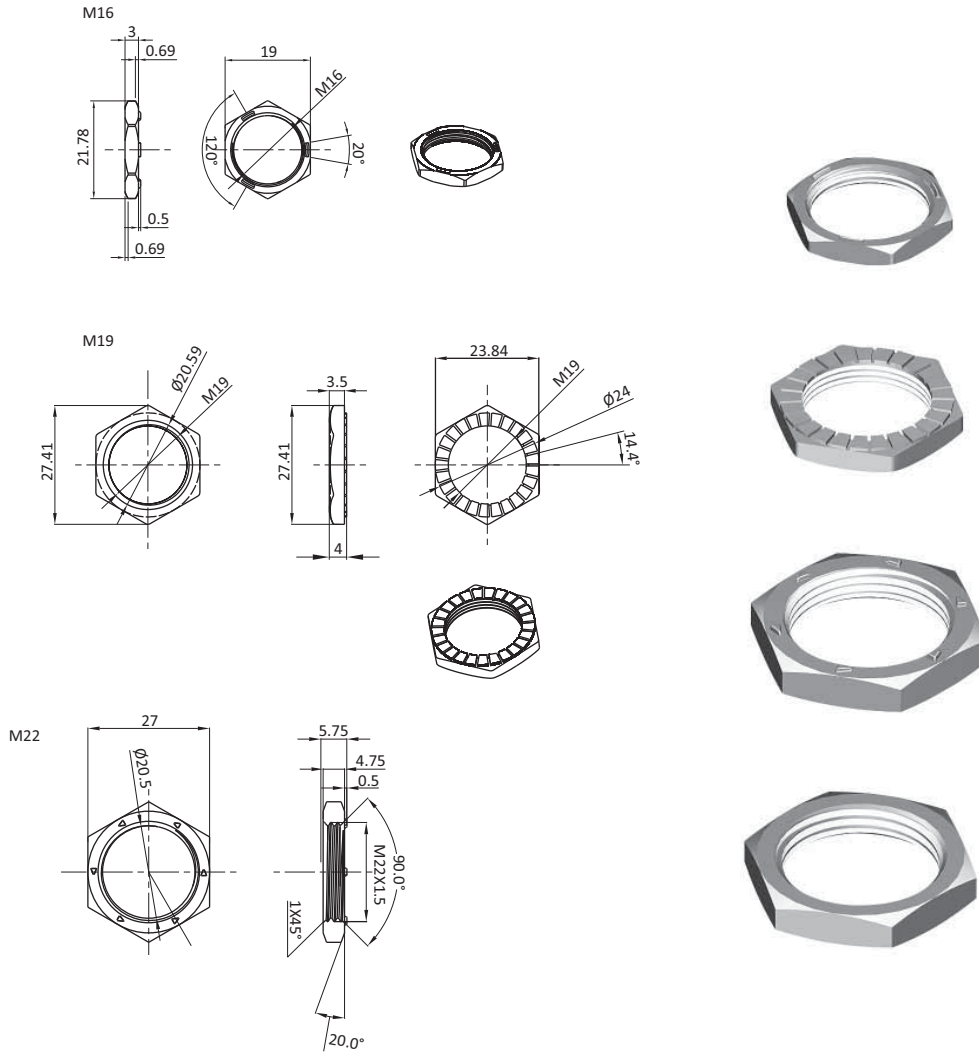


LOCK NUTS

DESCRIPTION	To attach 1/4 turn locks
MATERIAL	Die cast zinc Brass Stainless steel
PACK QUANTITY	10 pieces



Lock Nuts	Version	Die-cast Zinc	Solid Brass	Stainless Steel
	M16		LNSB-M16-412	
	M19	LNDCZ-M19-408	LNSB-M19-413	
		Grounding teeth	LNDCZ-GT-M22-1.5-58	
M22 x 1.5		No ground	LNDCZ-NG-M22-1.5-410	LNSS-NG-M22-1.5-59
		Serrated ground	LNDCZ-SG-M22-1.5-411	