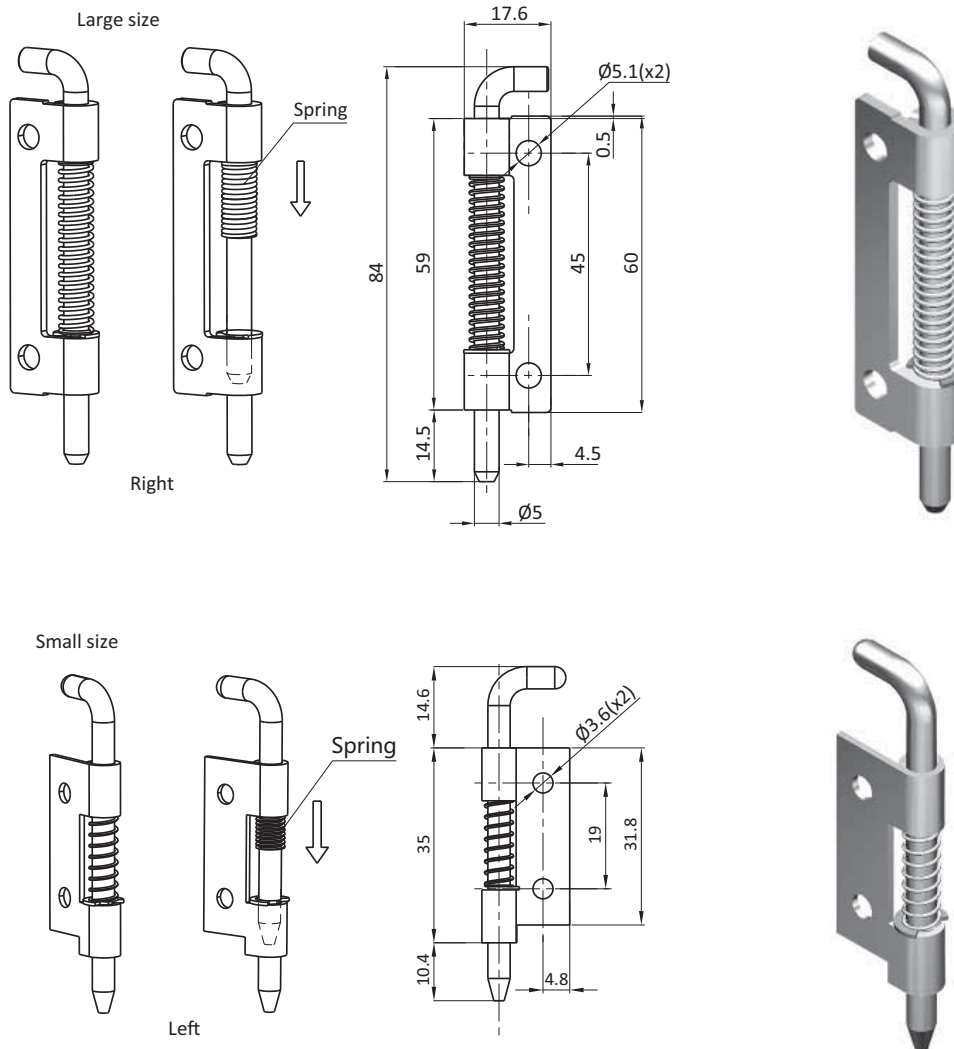


**SPRING LOADED CONCEALED HINGES**

|             |  |
|-------------|--|
| DESCRIPTION | To hinge panels  |
| MATERIAL    | Mild steel   |
| SURFACE     | Zinc plated  |
| SPECIALS    | Lift off<br>Right and left<br>Stainless Steel on request |



Spring Loaded Concealed Hinges

Size

Left

Right

|                  |            |                  |                  |
|------------------|------------|------------------|------------------|
| Screw on version | Large Size | <b>SLCHLL13</b>  | <b>SLCHLR92</b>  |
|                  | Small Size | <b>SLCHSL14</b>  | <b>SLCHSR94</b>  |
| Weld on version  | Large Size | <b>SLCHWLL15</b> | <b>SLCHWLR93</b> |
|                  | Small Size | <b>SLCHWSL16</b> | <b>SLCHWSR95</b> |