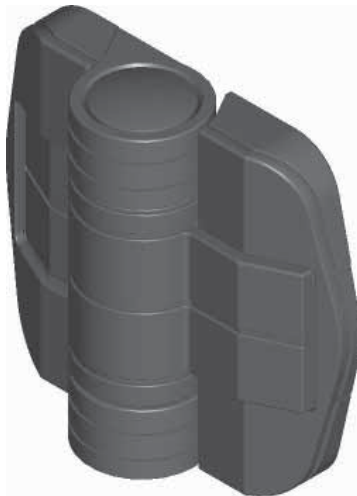
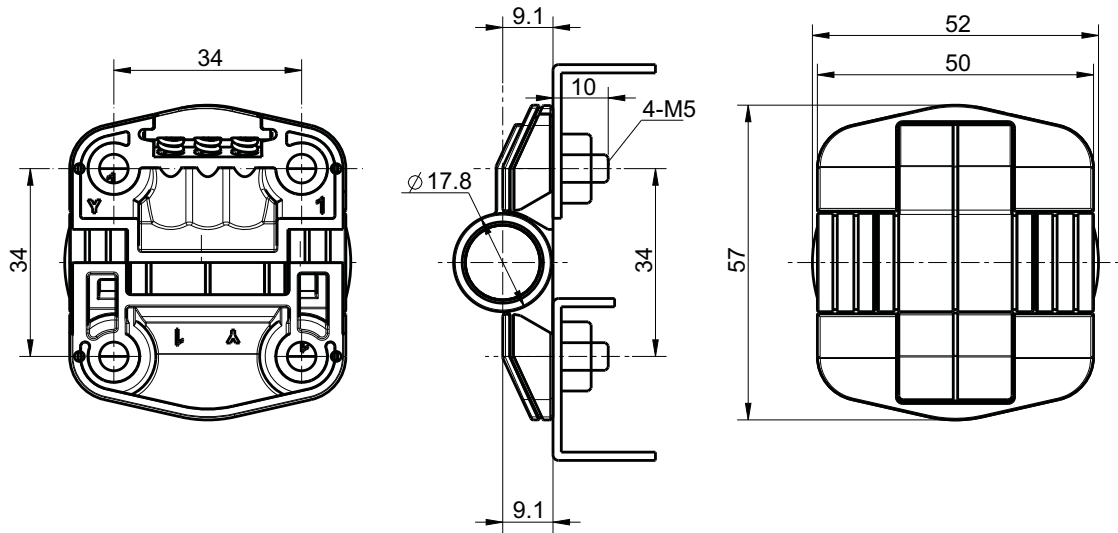


FRICION/DETENT HINGES

DESCRIPTION	To hinge panels
MATERIAL	Nylon Hinge Leaves and Covers
SURFACE	Black
SPECIALS	Life: Within 20 percent of stated torque after 25,000 cycles



Detented Open Angle	Torque to open Nm(INLB)	Black Powder Coat
80 Degrees	0.7 (6.2)	FDHB189
	1.1 (9.7)	FDHB190
	1.7 (15.1)	FDHB191
115 Degrees	0.7 (6.2)	FDHB192
	1.1 (9.7)	FDHB193
	1.7 (15.1)	FDHB194
150 Degrees	0.7 (6.2)	FDHB195
	1.1 (9.7)	FDHB196
	1.7 (15.1)	FDHB197
No Detent		FNDHB198