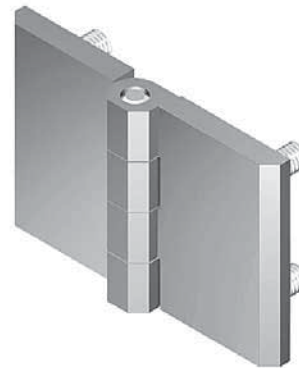
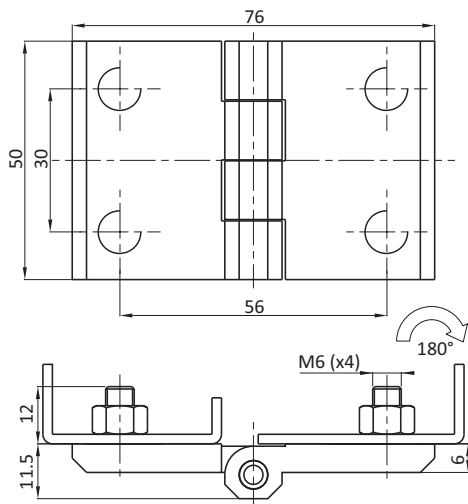
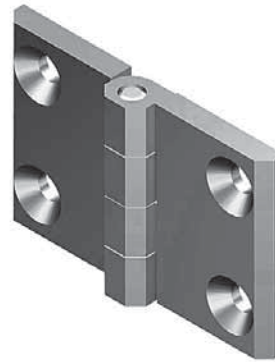
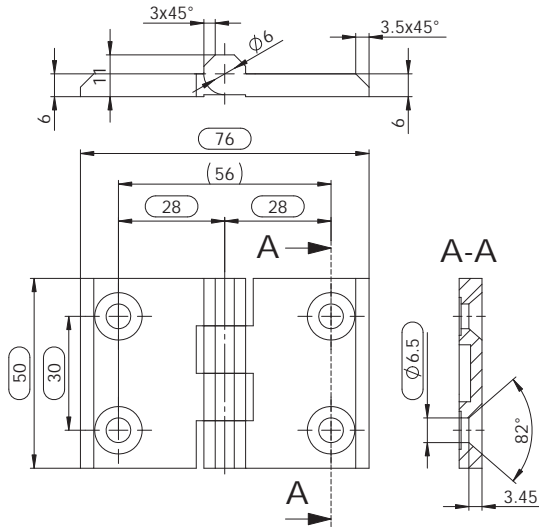


SCREW-ON HINGES

DESCRIPTION	To hinge panels
MATERIAL	Hinge leaves: Die-cast zinc / stainless steel Hinge pin: Mild steel
SURFACE	Hinge leaves: Black powder coated / chrome plated Hinge pin: 304 Stainless Steel
SPECIALS	Non lift off Left and right



Version

Black Powder Coated

Chrome Plated

SS 316

Countersunk Screw M6

SOHB7
SOHC7S01
SOHSS2

Threaded M6 Studs

SOHB7SB
SOHC7SBS01