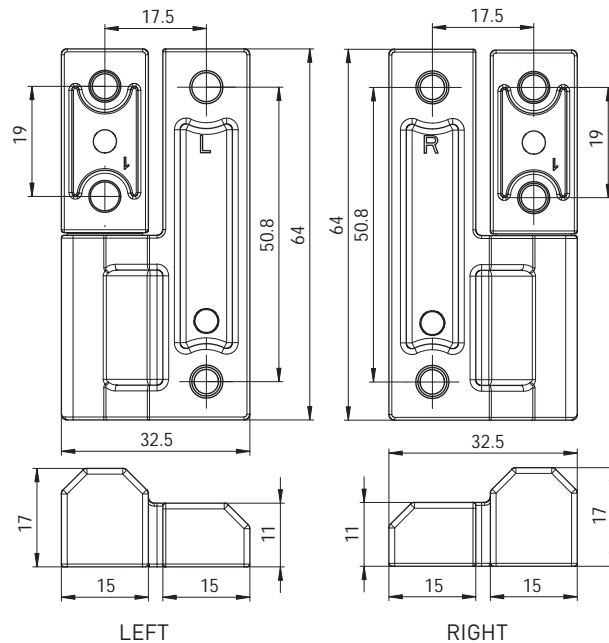
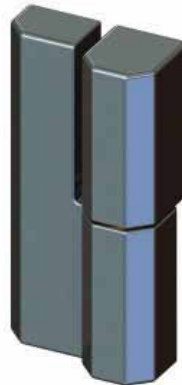
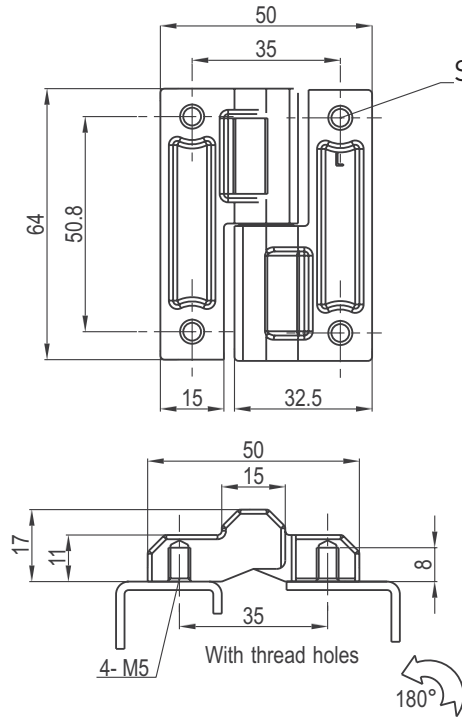


LIFT-OFF HINGES

DESCRIPTION	To hinge panels
MATERIAL	Hinge leaves: Die-cast zinc Hinge pin: Mild steel
SURFACE	Hinge leaves: Black powder coated Hinge pin: 304 Stainless Steel
SPECIALS	Lift off



Version	Finish	Left Version	Right Version
With threaded hole #10-32	Black Powder	LOHBL12S01	LOHBR13S01
With threaded hole M5	Black Powder	LOHBL12	LOHBR13
With Threaded Hole M5	Chrome Plated	LOHCL22S01	LOHCR23S01
With Threaded Hole M5	Black Powder	LOHBL22S02	LOHBR23S02