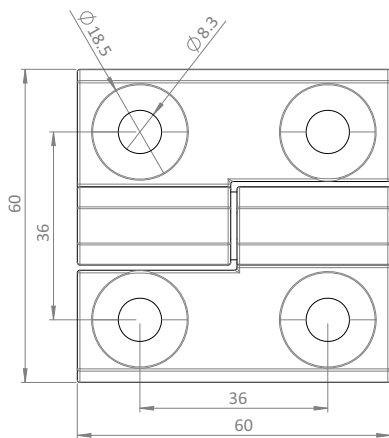
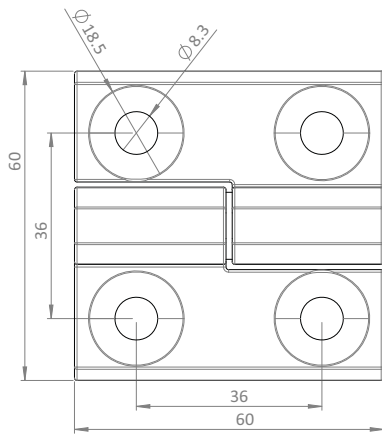
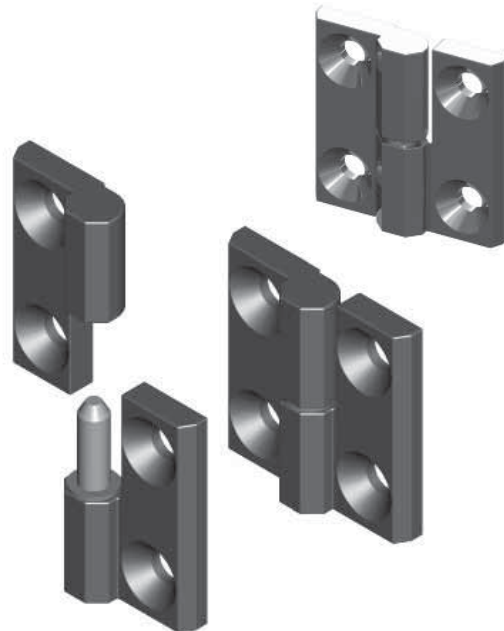
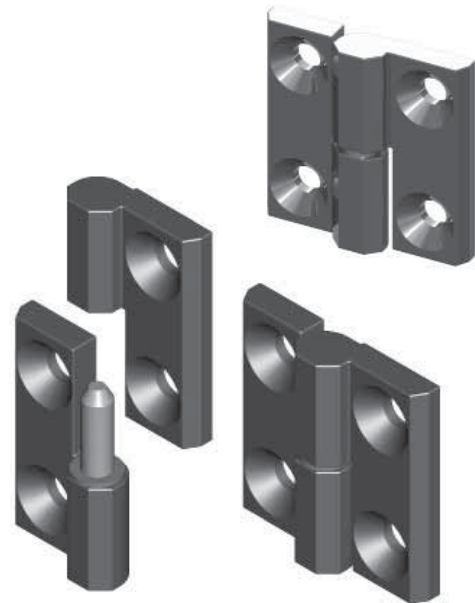
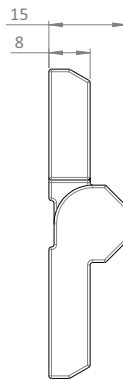
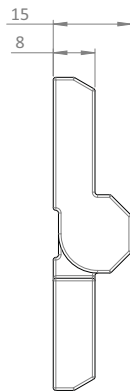


DESCRIPTION	To hinge panels
MATERIAL	Hinge leaves: Die-cast zinc Hinge pin: 304 SS
SURFACE	Hinge leaves: Black powder coat, Chrome Plated
HARDWARE	M6 Flat Head Screw


LEFT VERSION

RIGHT VERSION


Version

Black Powder Coated

Chrome Plated

Left

SOHBL274
SOHCL274S01

Right

SOHBR275
SOHCR275S01