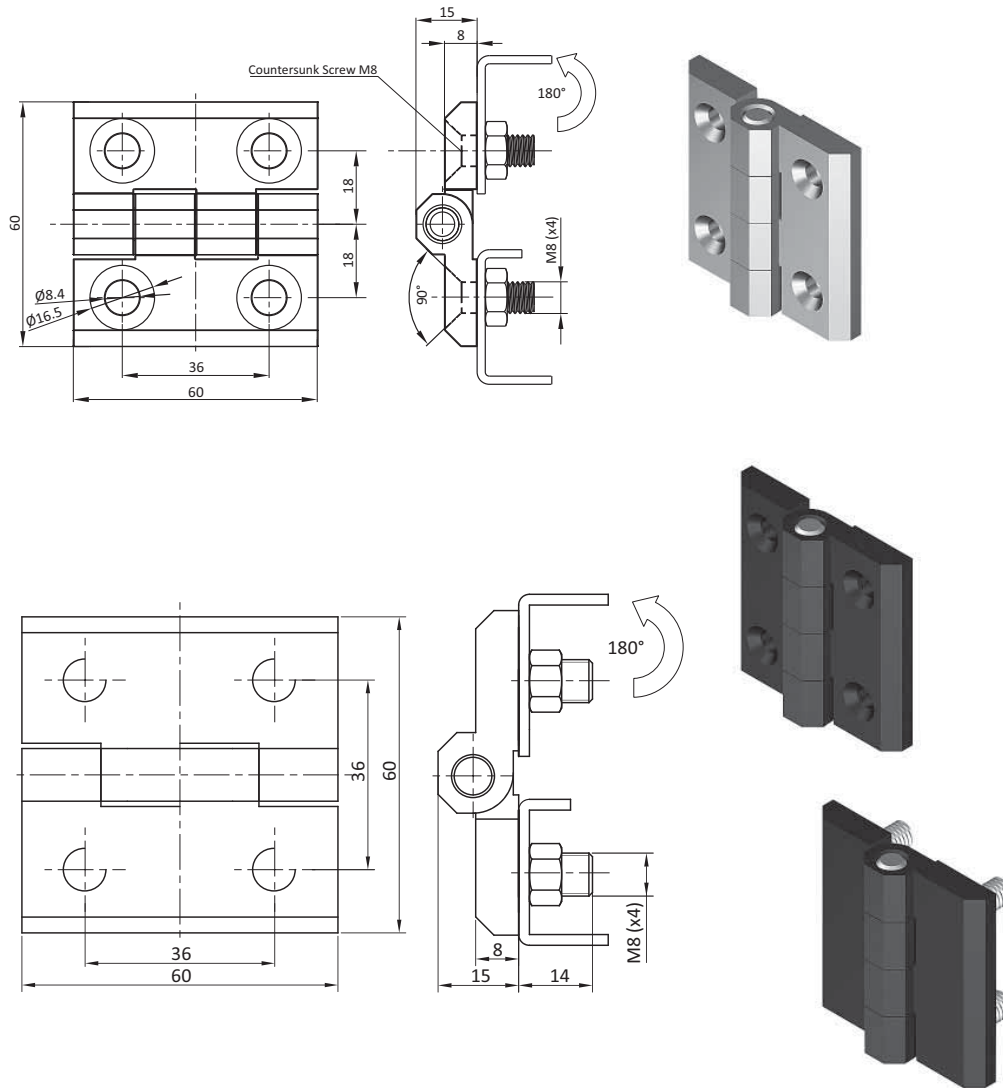


SCREW-ON HINGES

DESCRIPTION	To hinge panels
MATERIAL	Hinge leaves: Die-cast zinc / stainless steel Hinge pin: Mild steel
SURFACE	Hinge leaves: Black powder coated / chrome plated Hinge pin: 304 Stainless Steel
SPECIALS	Non lift off



Version

Black Powder Coated

Chrome Plated

SS 316

Countersunk Screw M8

SOHB9
SOHC9S01
SOHSS6060E

Threaded M8 Studs

SOHB117
SOHC118