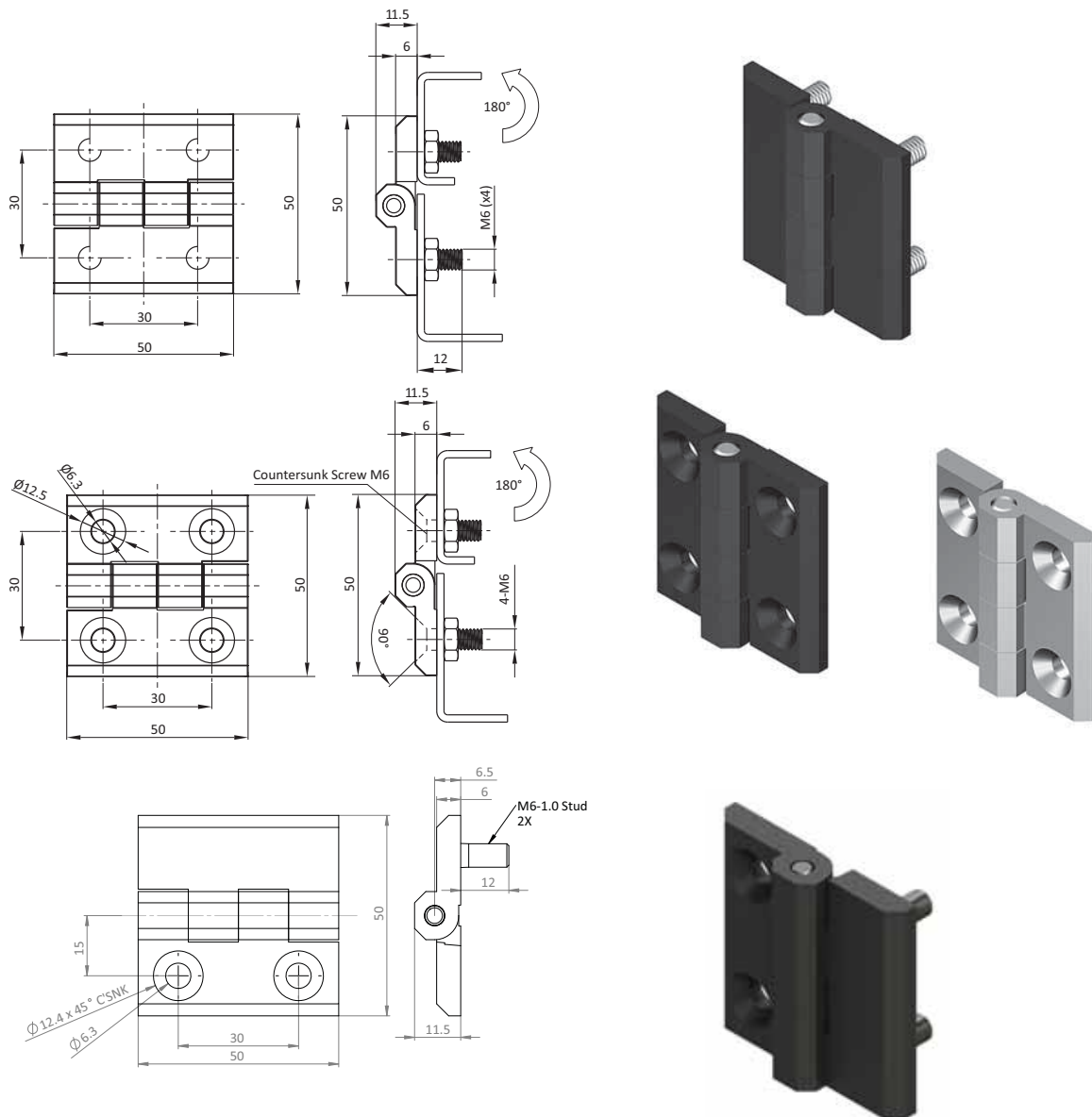


SCREW-ON HINGES

DESCRIPTION	To hinge panels
MATERIAL	Hinge leaves: Die-cast zinc / stainless steel Hinge pin: 304 SS
SURFACE	Hinge leaves: Black powder coated / chrome plated Hinge pin: 304 Stainless Steel
SPECIALS	Non lift off



Version	Black Powder Coated	Chrome Plated	SS 316	Plastic
Countersunk Screw M6	SOHB6	SOHC6501	SOHSS5050E	
M6 Studs	SOHB115	SOHC116		
Countersunk Screw M6				SOHP6K
M6 Studs/Countersunk M6				SOHP206K
M6 Studs				SOHP115K